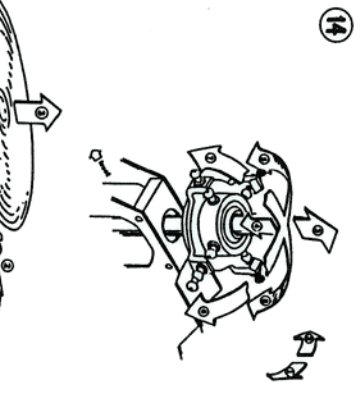
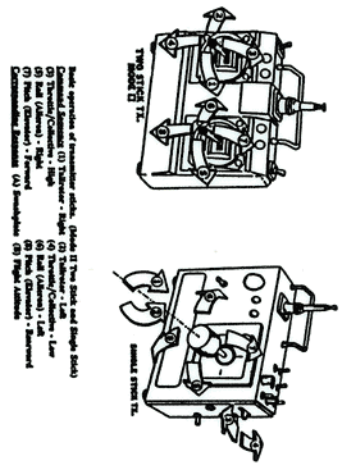
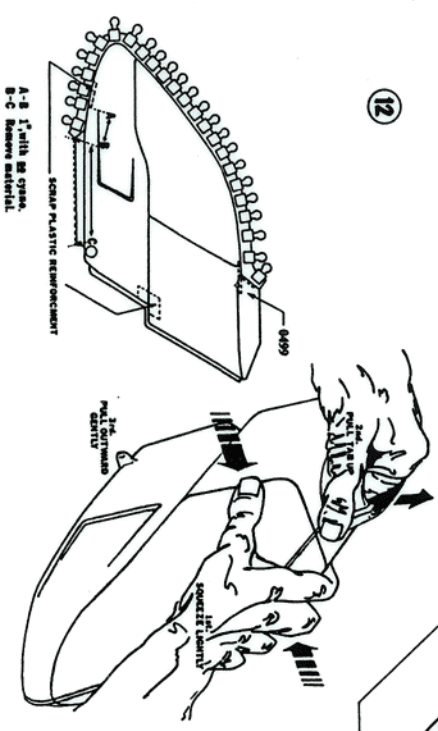


SCHOONARD's
X-CELL
CUSTOM



miniature aircraft USA
1993 - Copyright by Schoonard's
3743 Silver Star Road
Orlando, Florida 32808
Phone 407-292-4267
FAX 407-292-4296



Note: Application of reinforcement strips. (Check 11 Type Stiff and Single Stiff)
 1) Chamber - Right (2) Chamber - Left
 3) Ball (Upper) - Right (4) Ball (Lower) - Left
 5) Ball (Upper) - Right (6) Ball (Lower) - Left
 7) Hole (Upper) - Forward (8) Hole (Lower) - Forward
 9) Right (Upper) (10) Right (Lower)

