

Figure 1
 X-Cell Gas Graphite
<http://www.rchelibase.com>

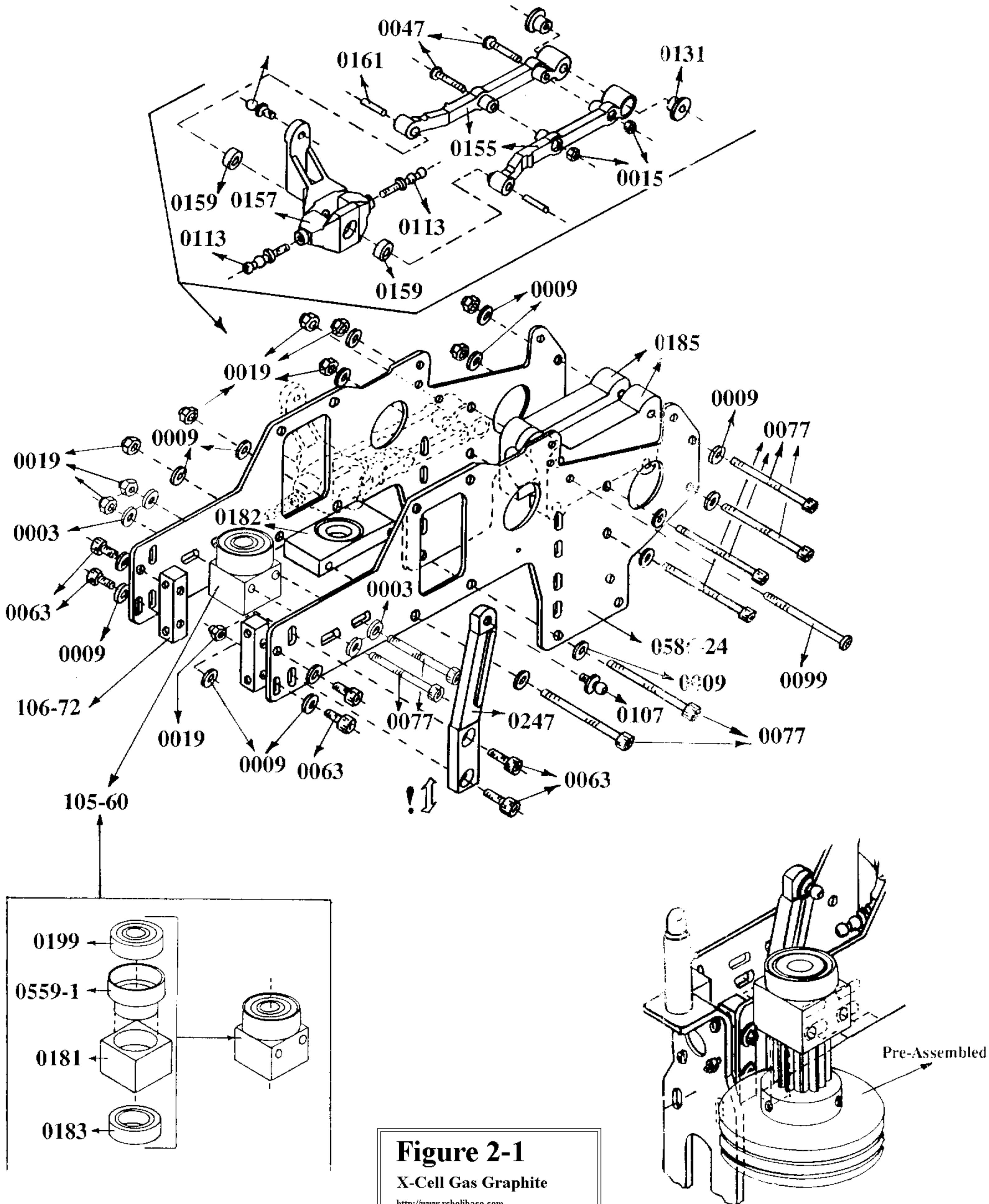


Figure 2-1
 X-Cell Gas Graphite
<http://www.rchelibase.com>

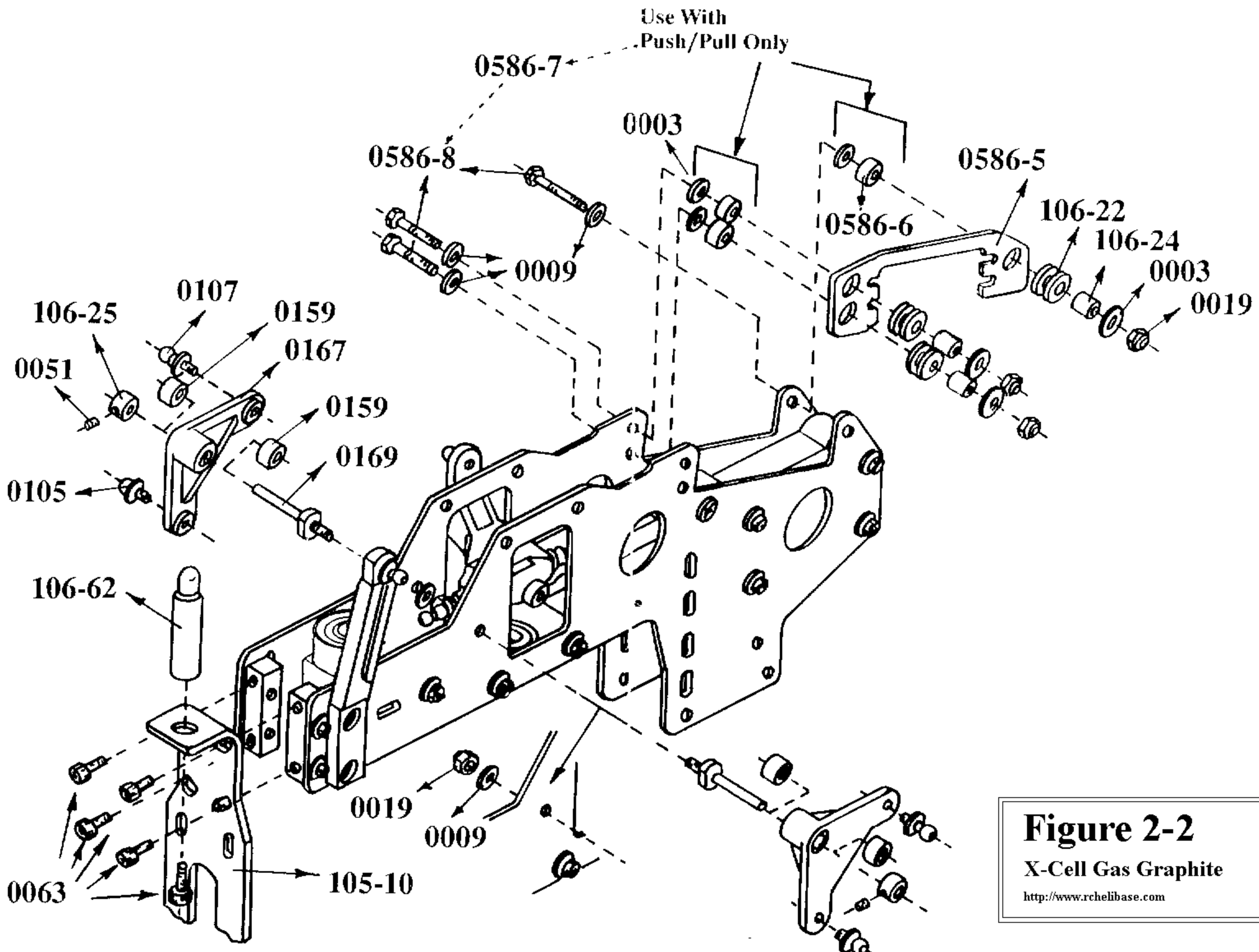
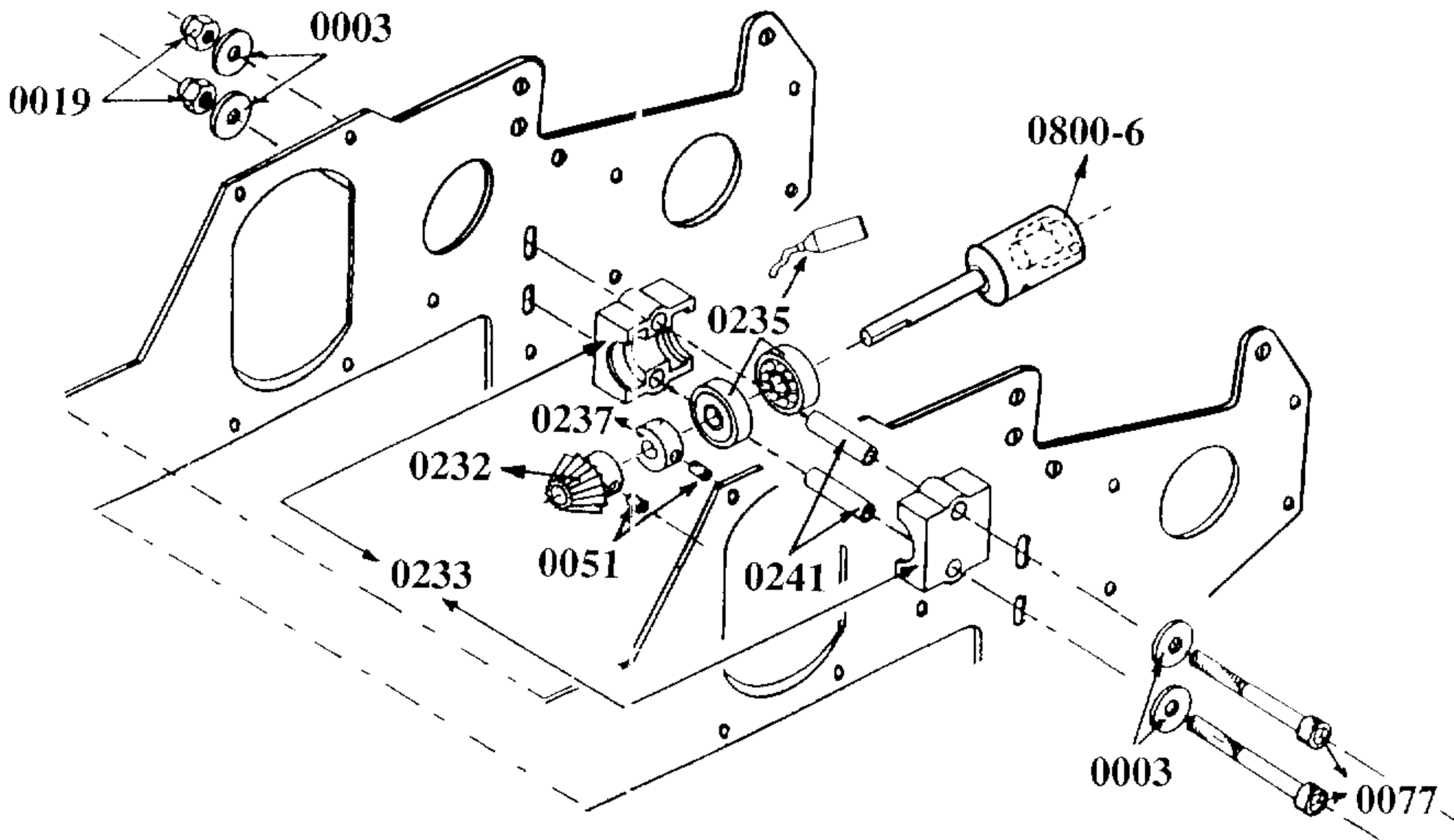


Figure 2-2
 X-Cell Gas Graphite
<http://www.rchelibase.com>

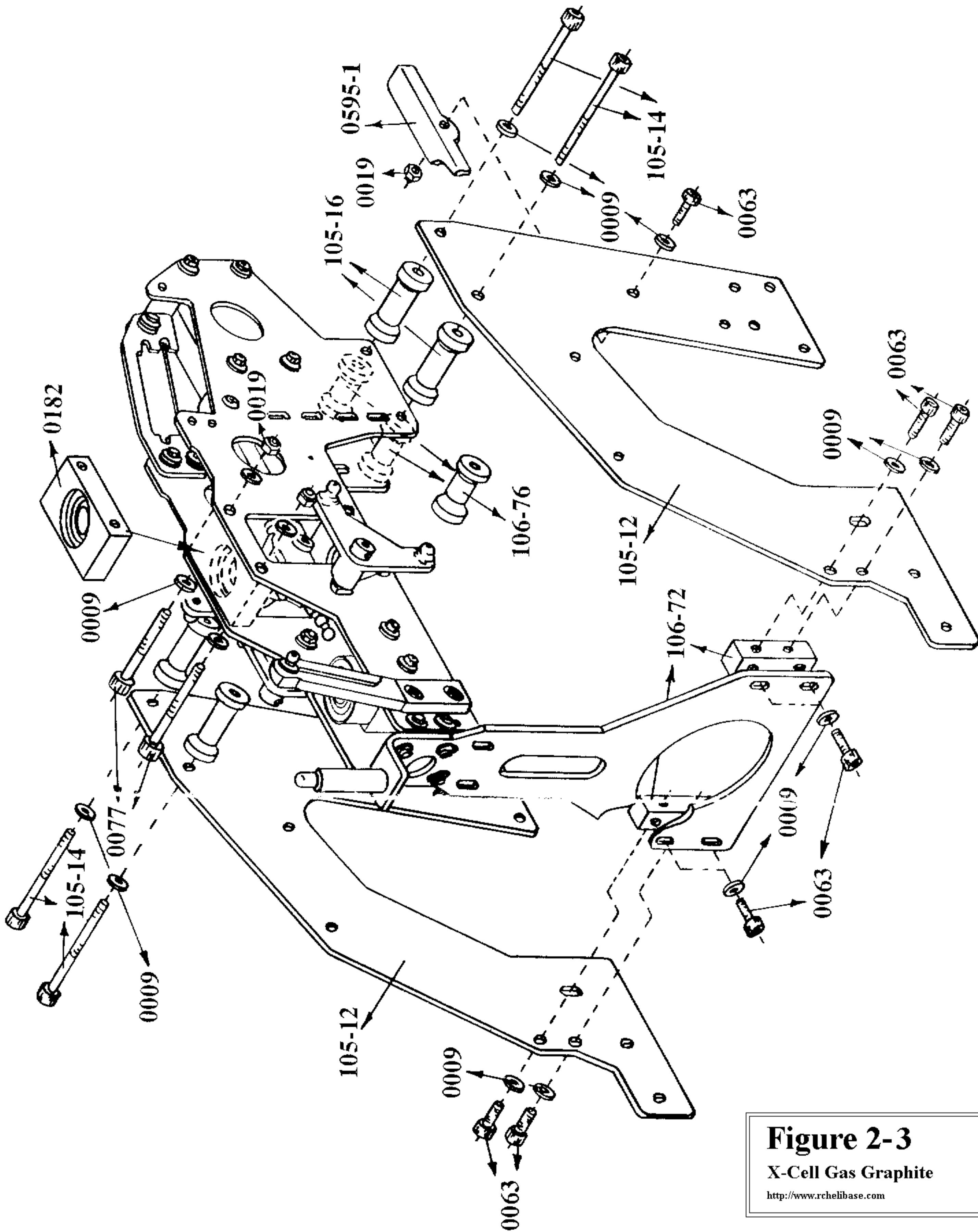


Figure 2-3
X-Cell Gas Graphite
<http://www.rchelibase.com>

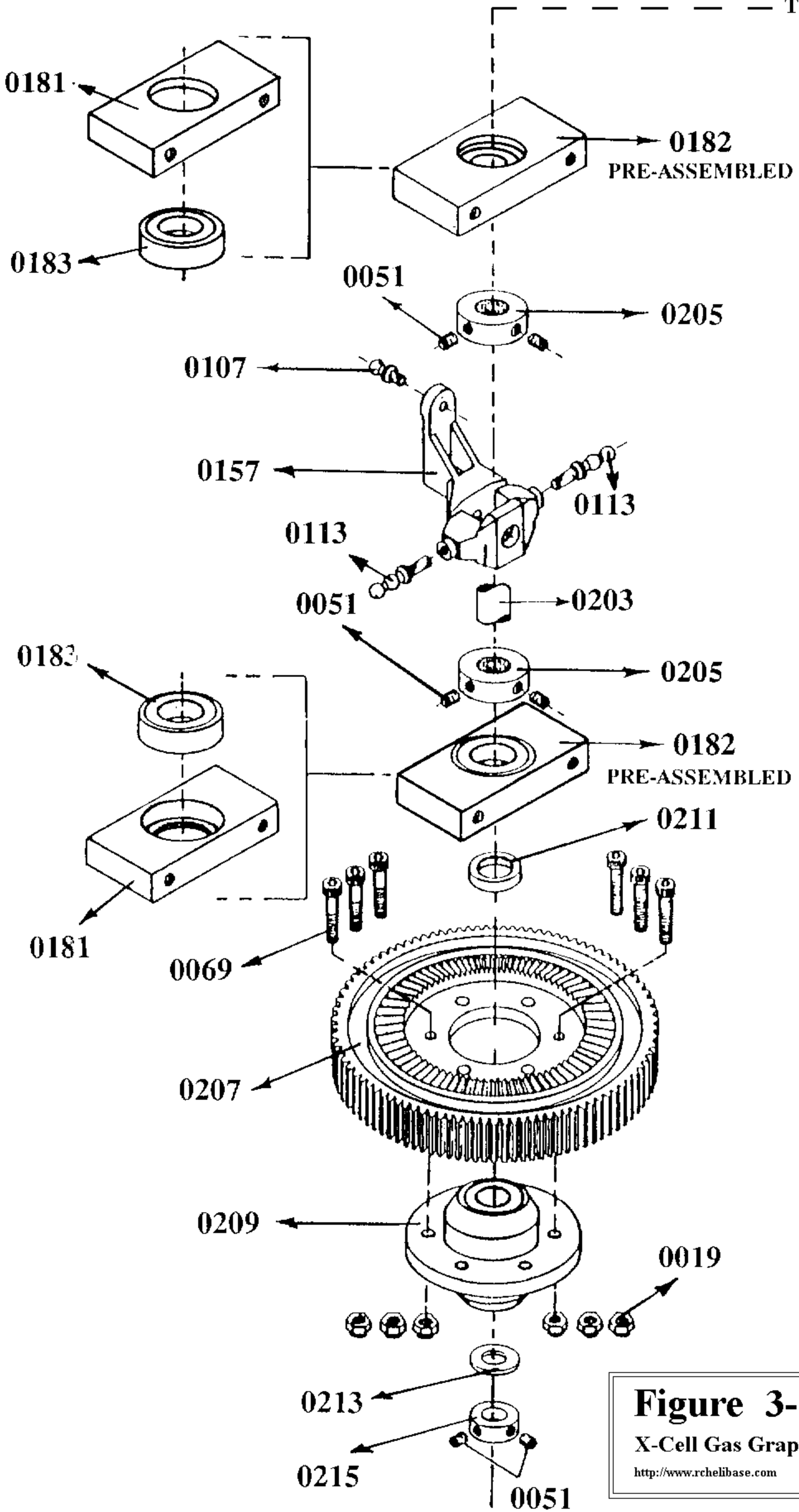


Figure 3-1
X-Cell Gas Graphite
<http://www.rchelibase.com>

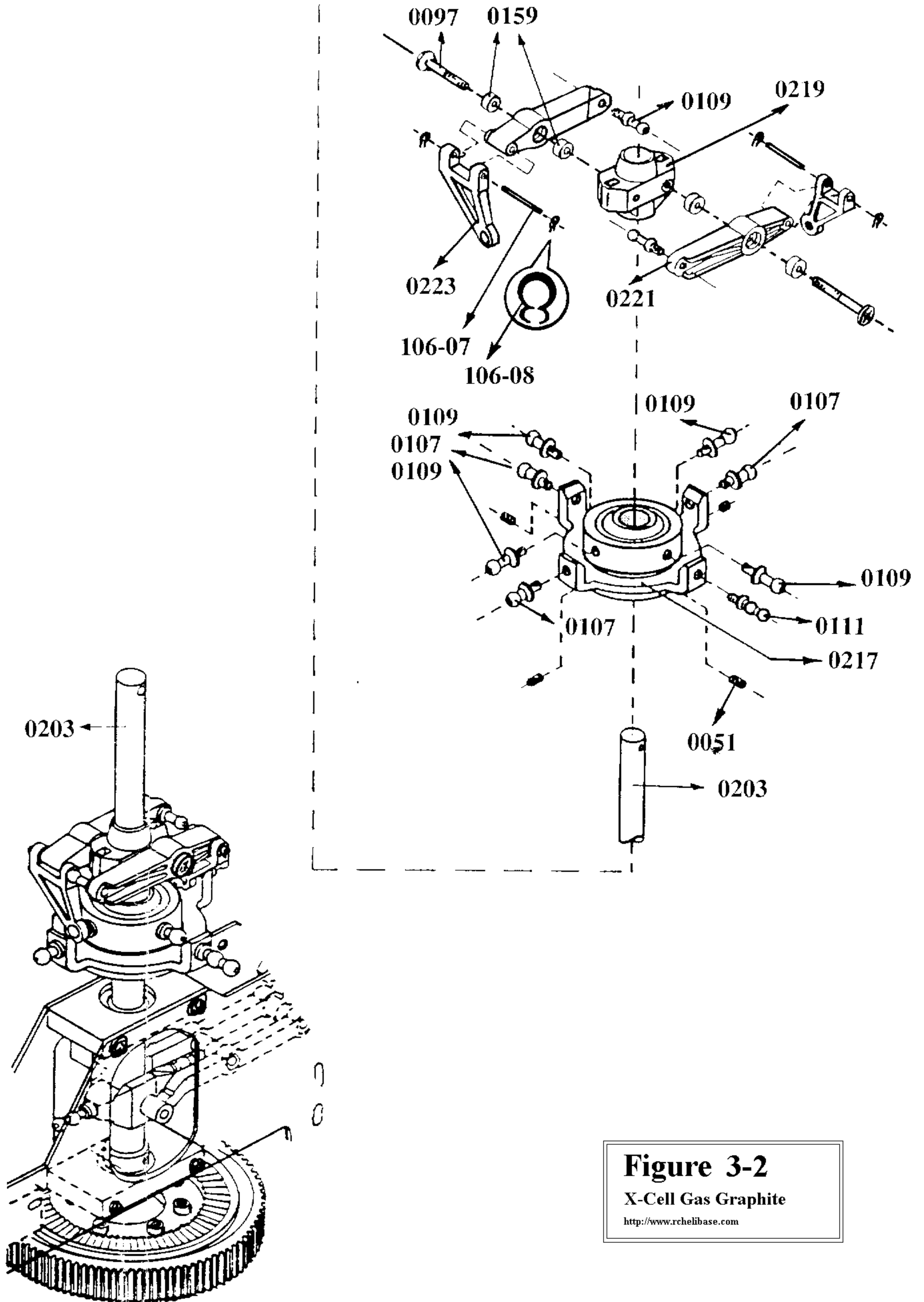


Figure 3-2

X-Cell Gas Graphite

<http://www.rchelibase.com>

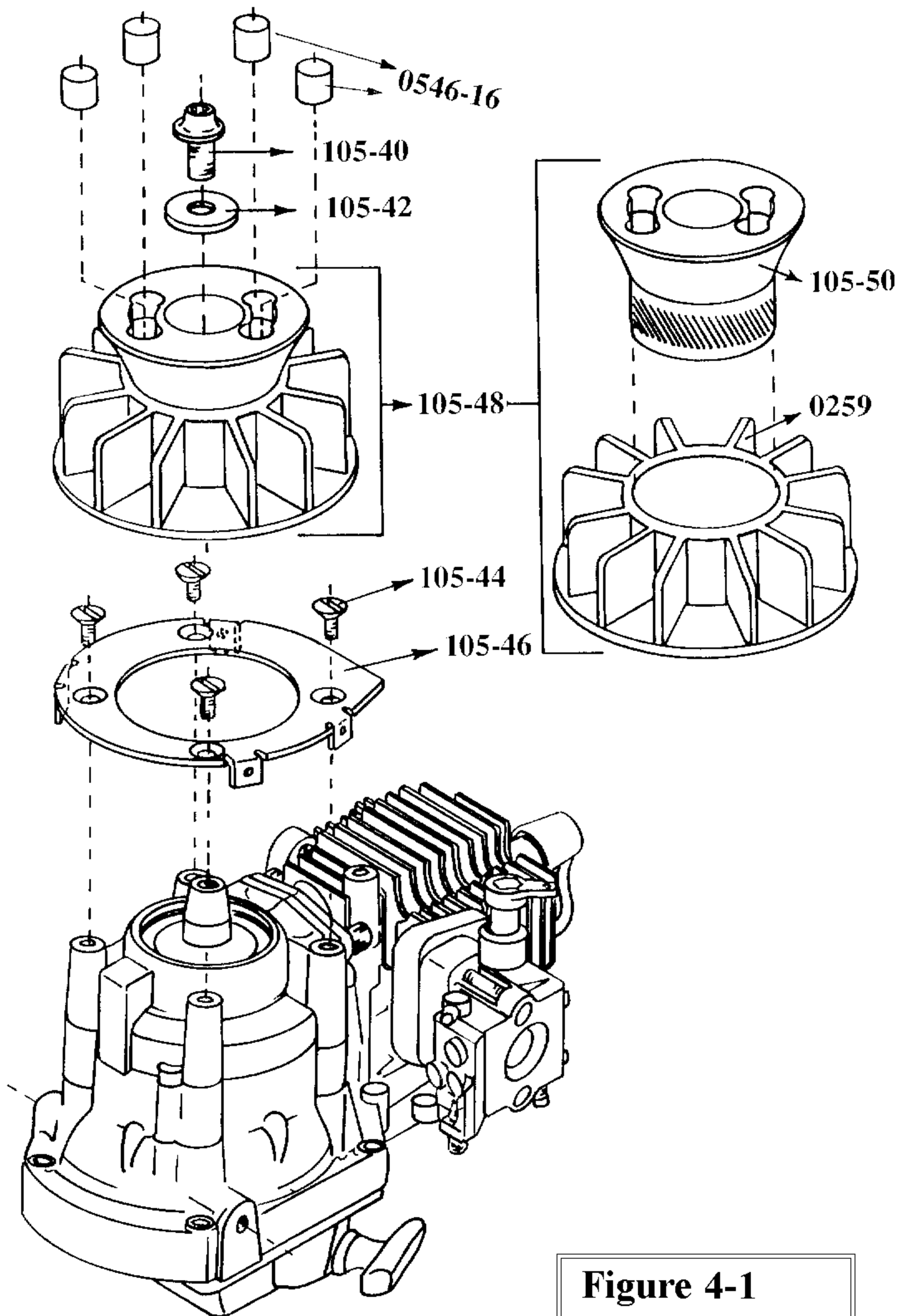


Figure 4-1

X-Cell Gas Graphite

<http://www.rchelibase.com>

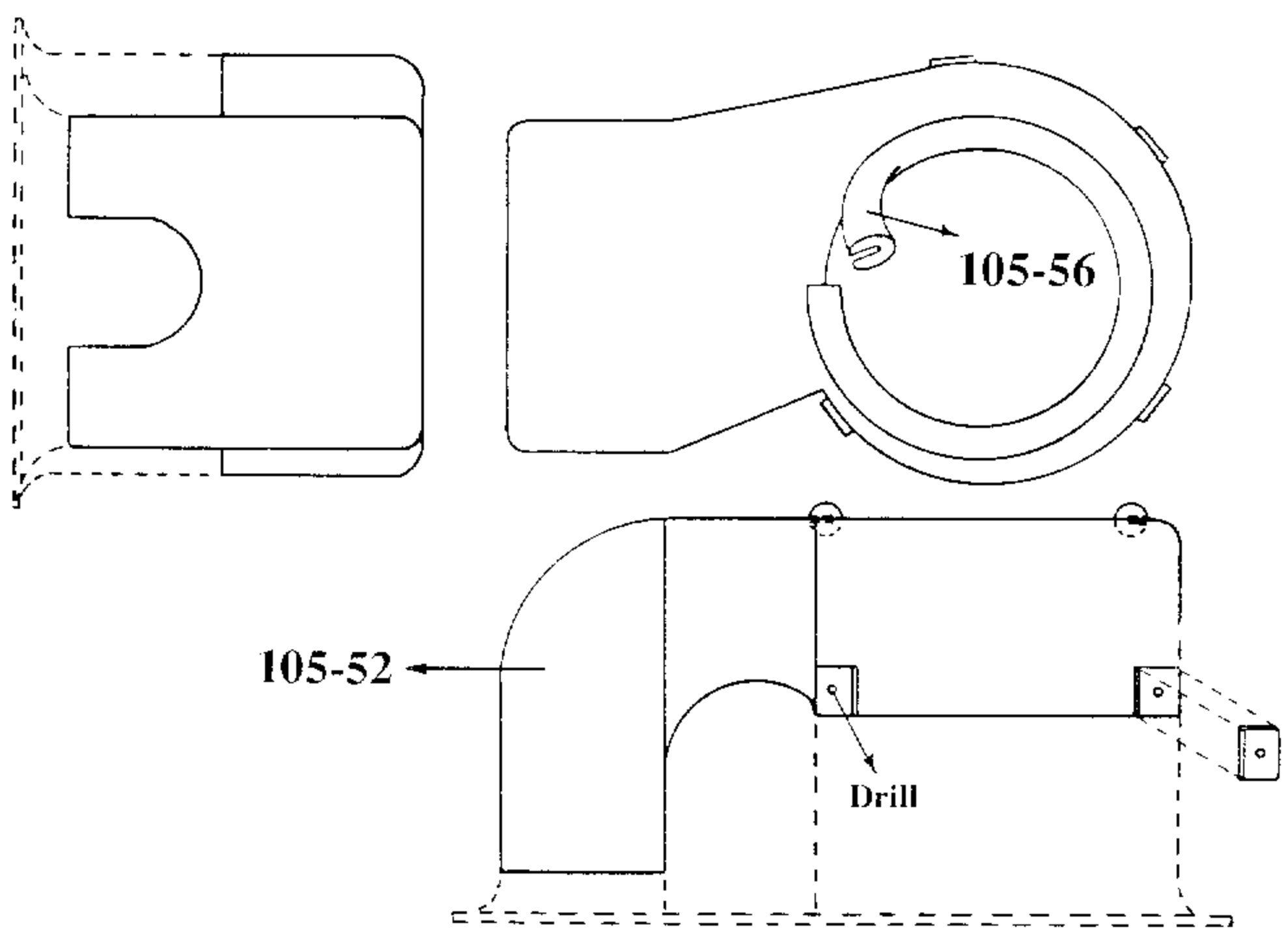
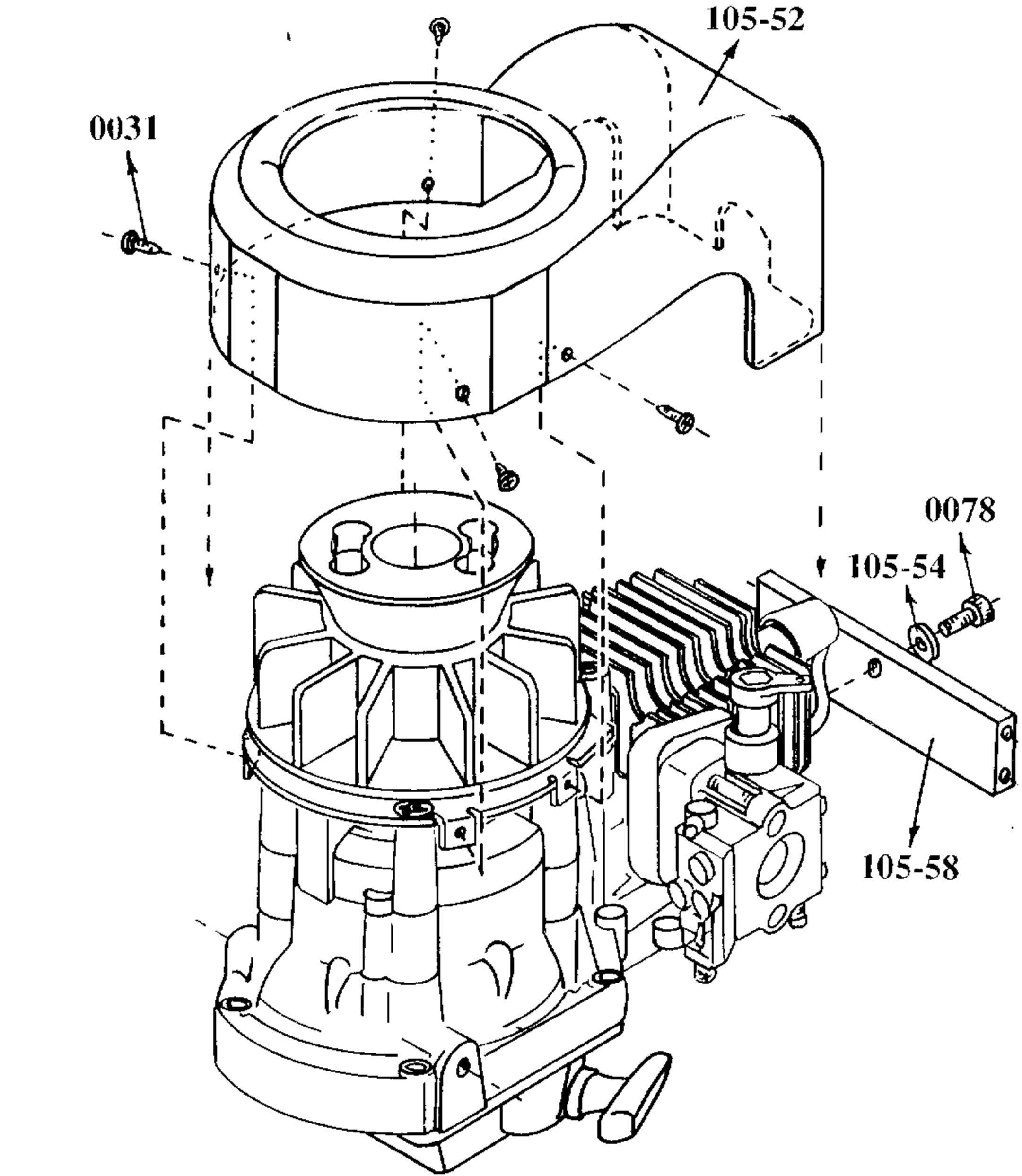


Figure 4-2
X-Cell Gas Graphite
<http://www.rchelibase.com>

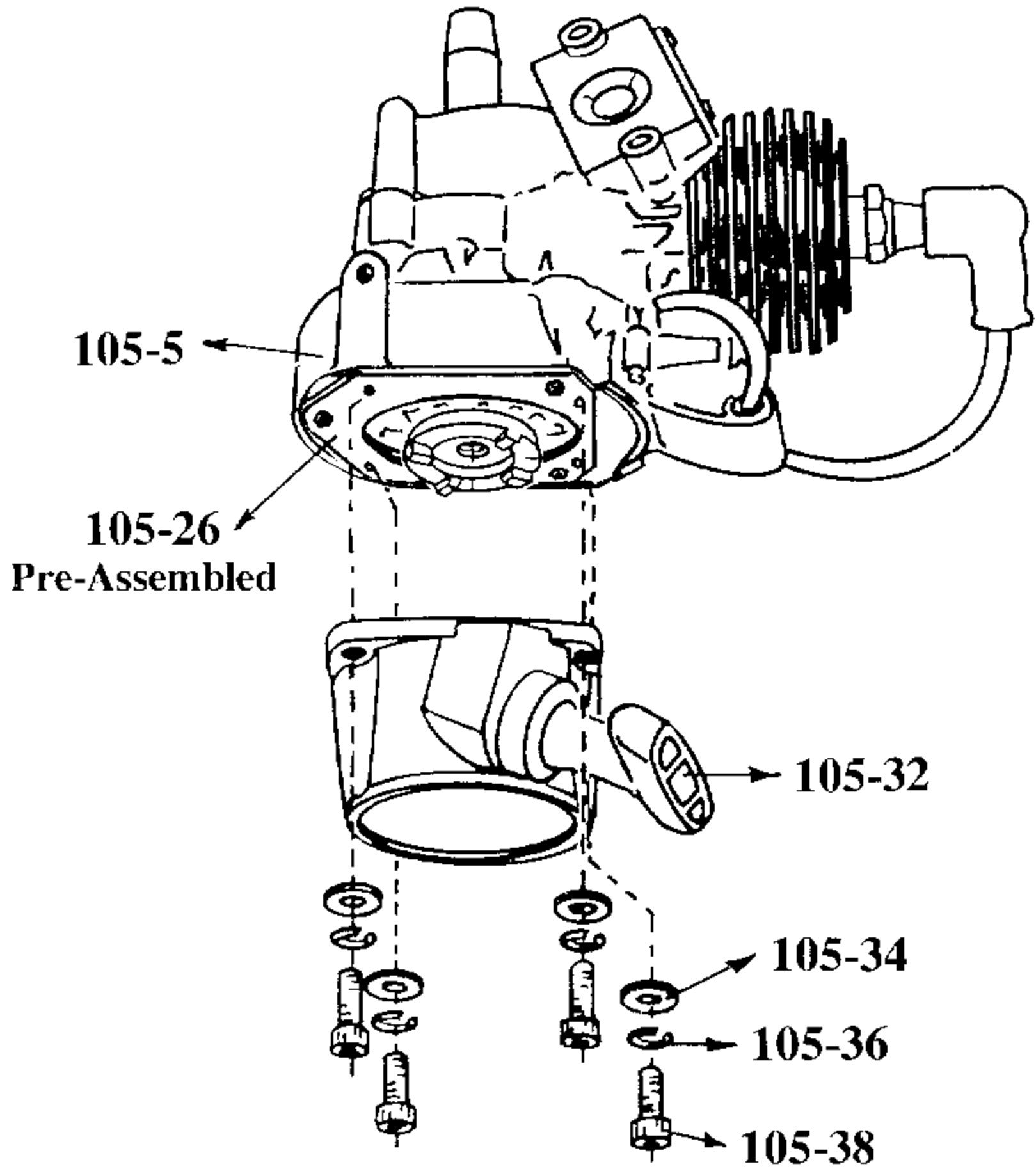


Figure 4-3
 X-Cell Gas Graphite
<http://www.rchelibase.com>

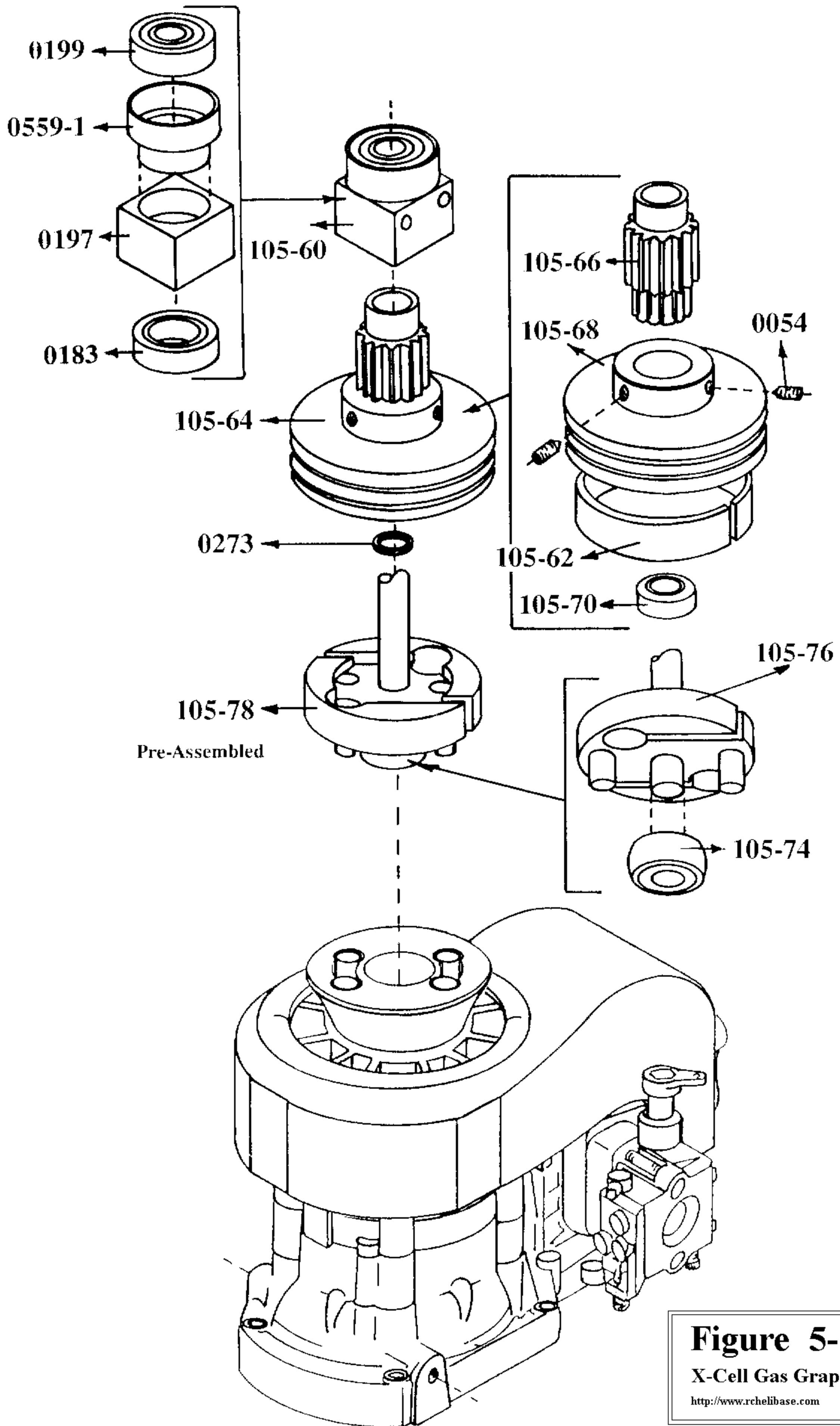


Figure 5-1
 X-Cell Gas Graphite
<http://www.rchelibase.com>

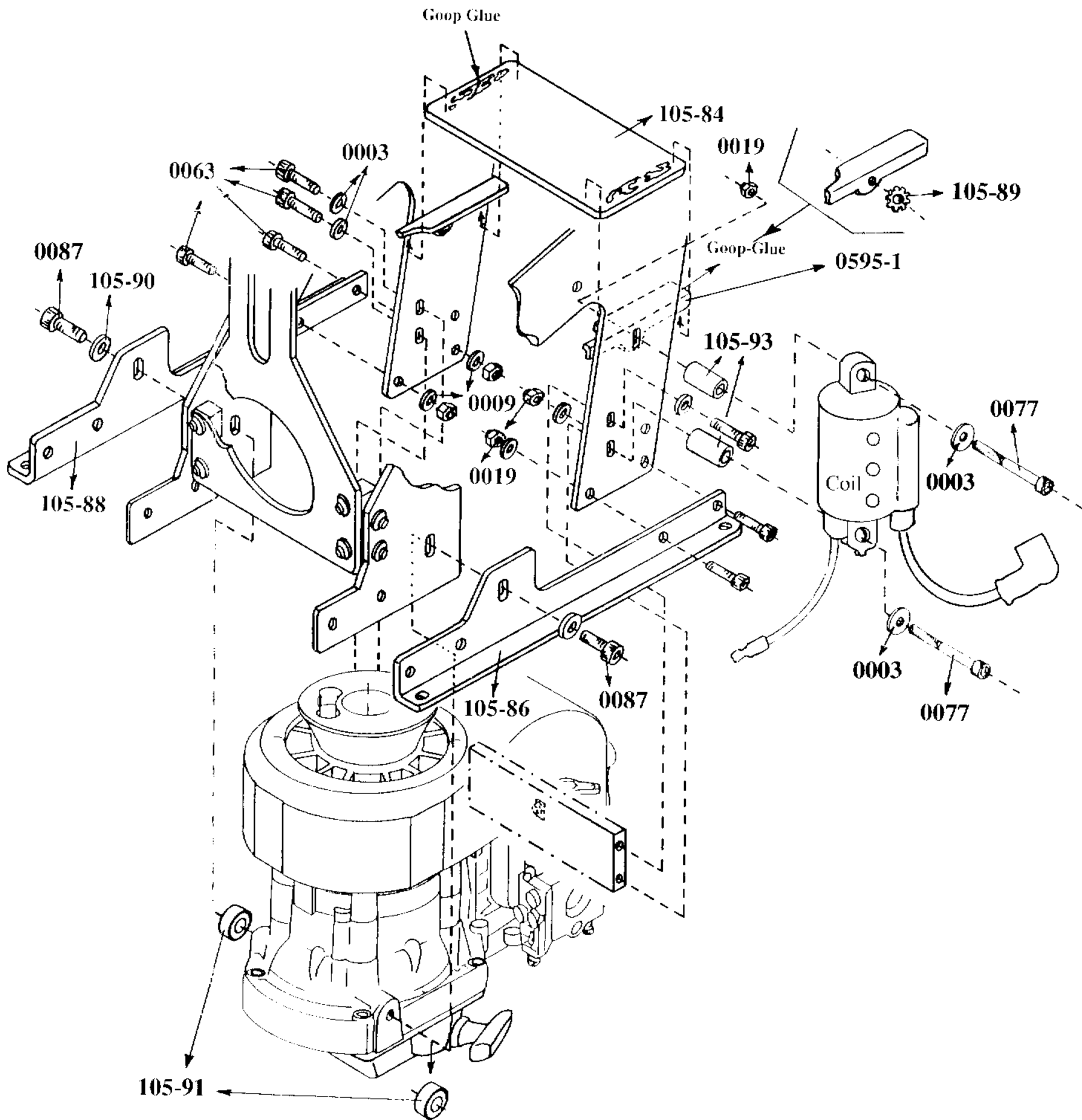


Figure 5-2
 X-Cell Gas Graphite
<http://www.rchelibase.com>

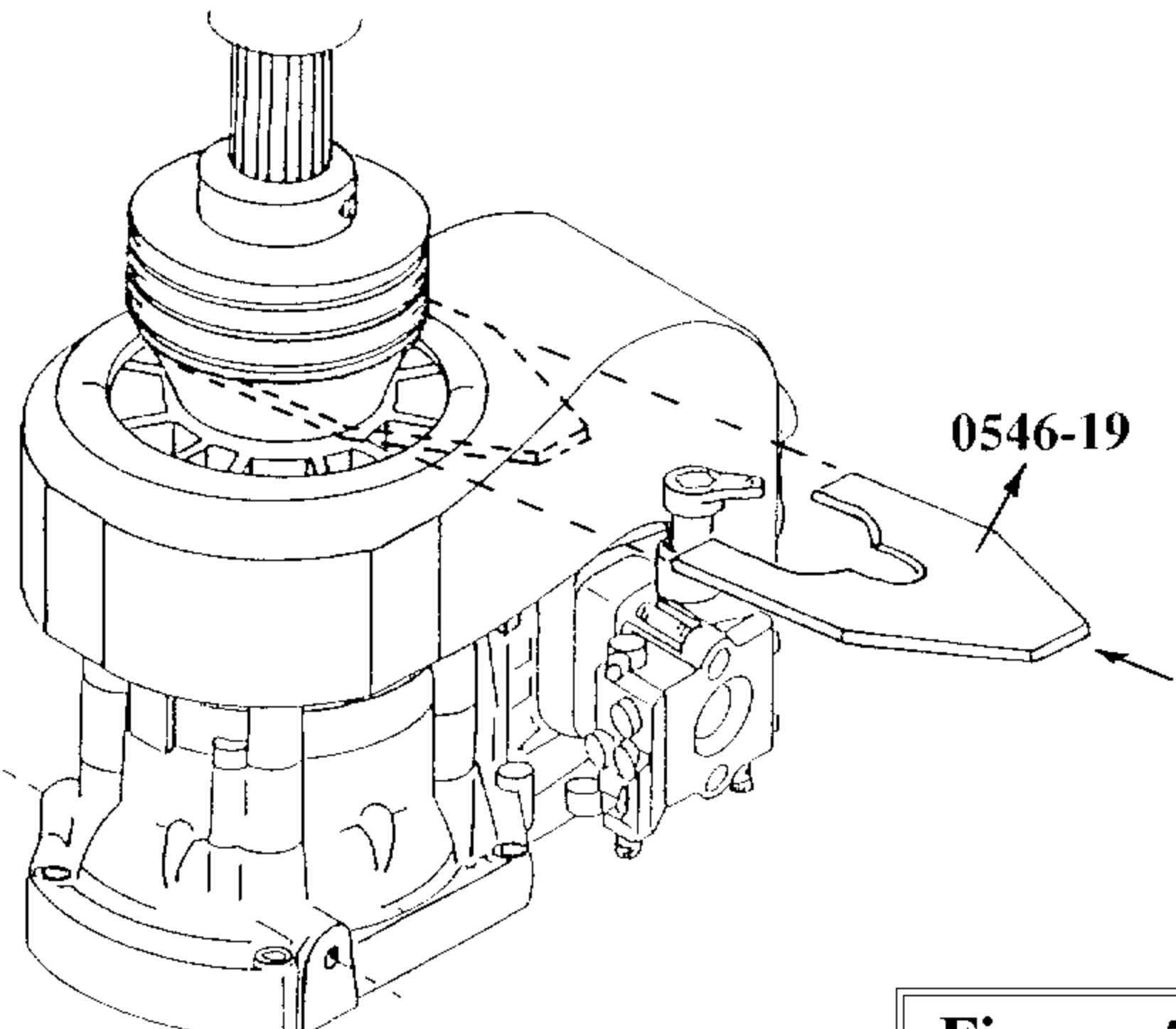
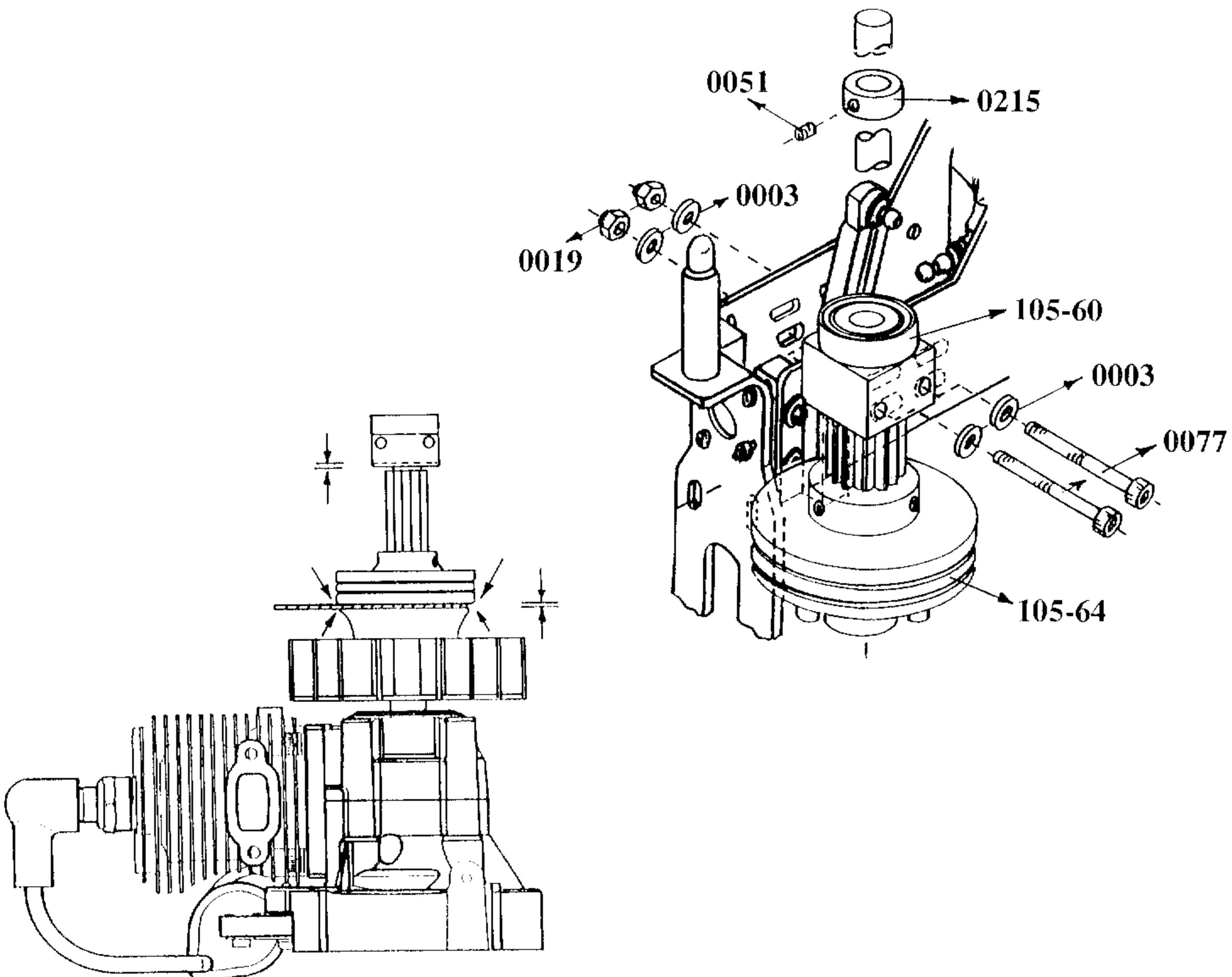


Figure 5-3
 X-Cell Gas Graphite
<http://www.rchelibase.com>

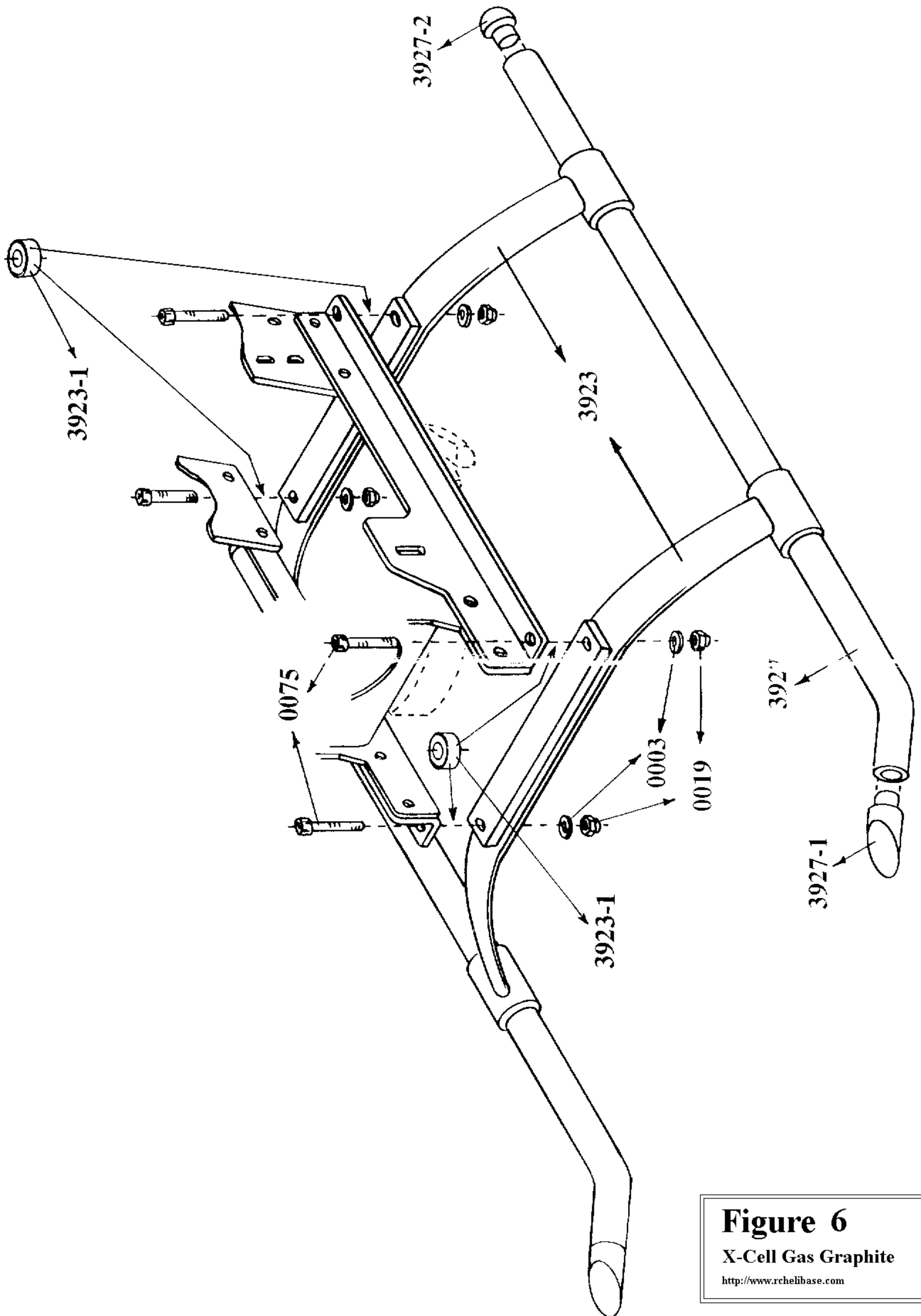


Figure 6
X-Cell Gas Graphite
<http://www.rchelibase.com>

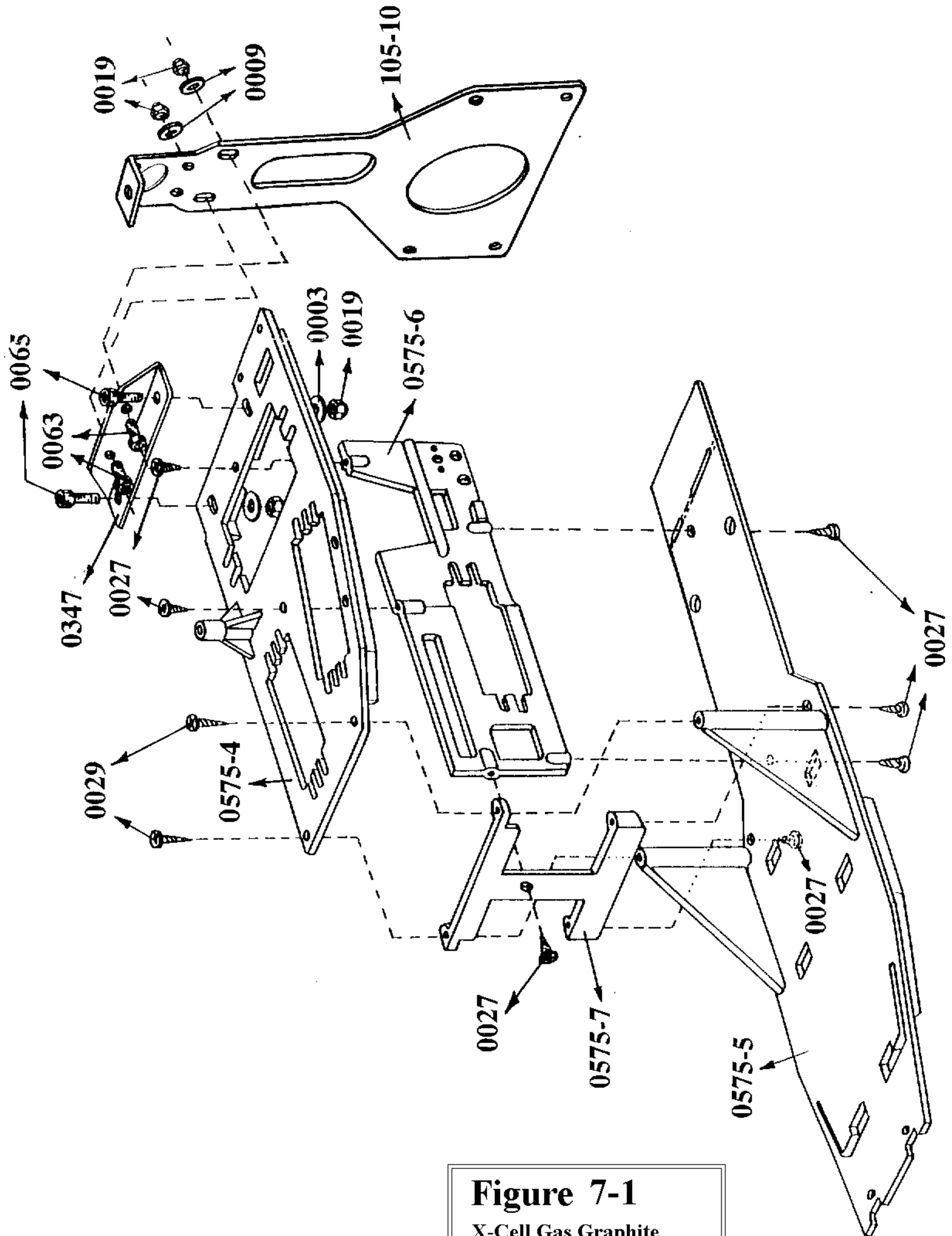


Figure 7-1
X-Cell Gas Graphite
<http://www.rchelibase.com>

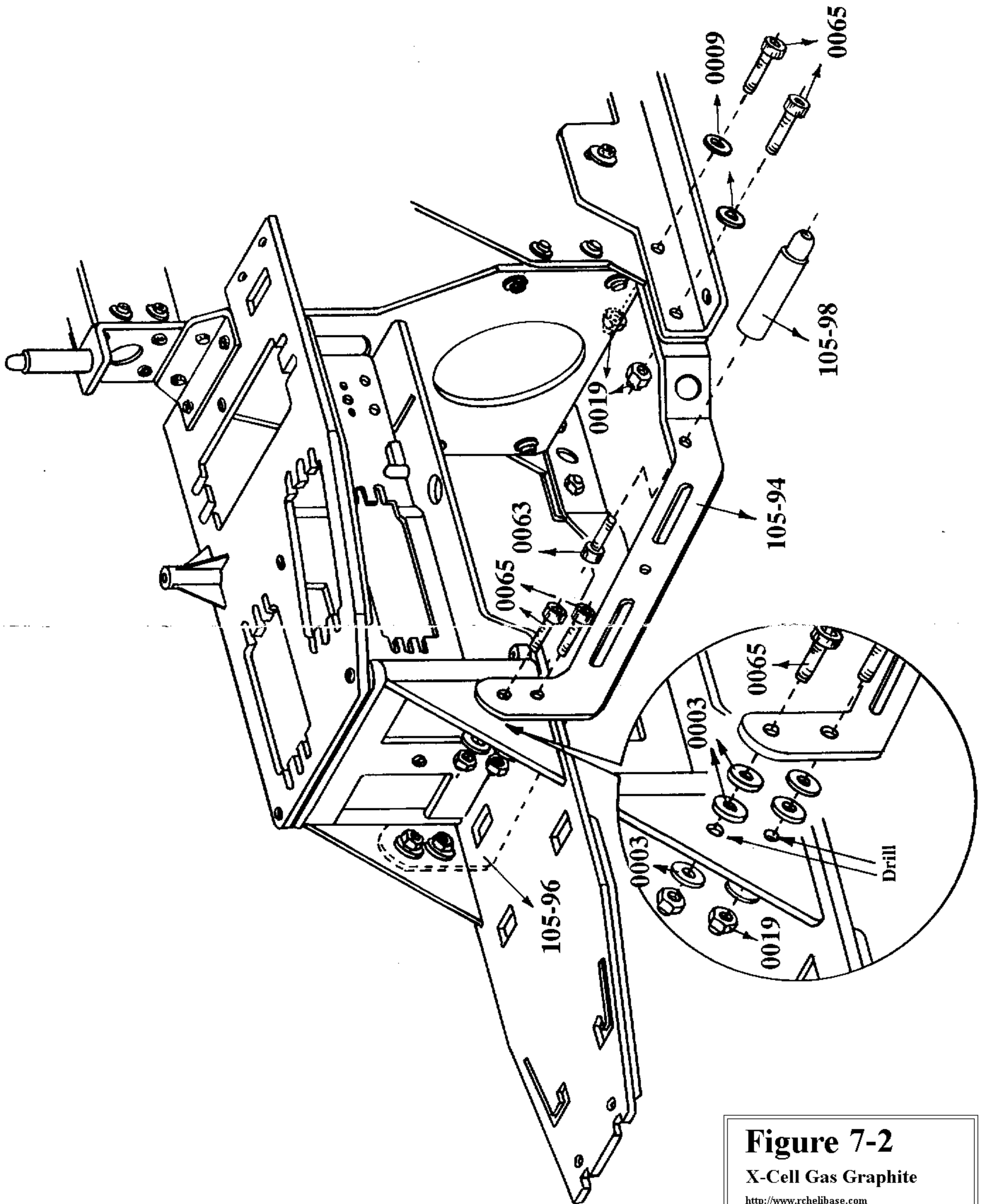
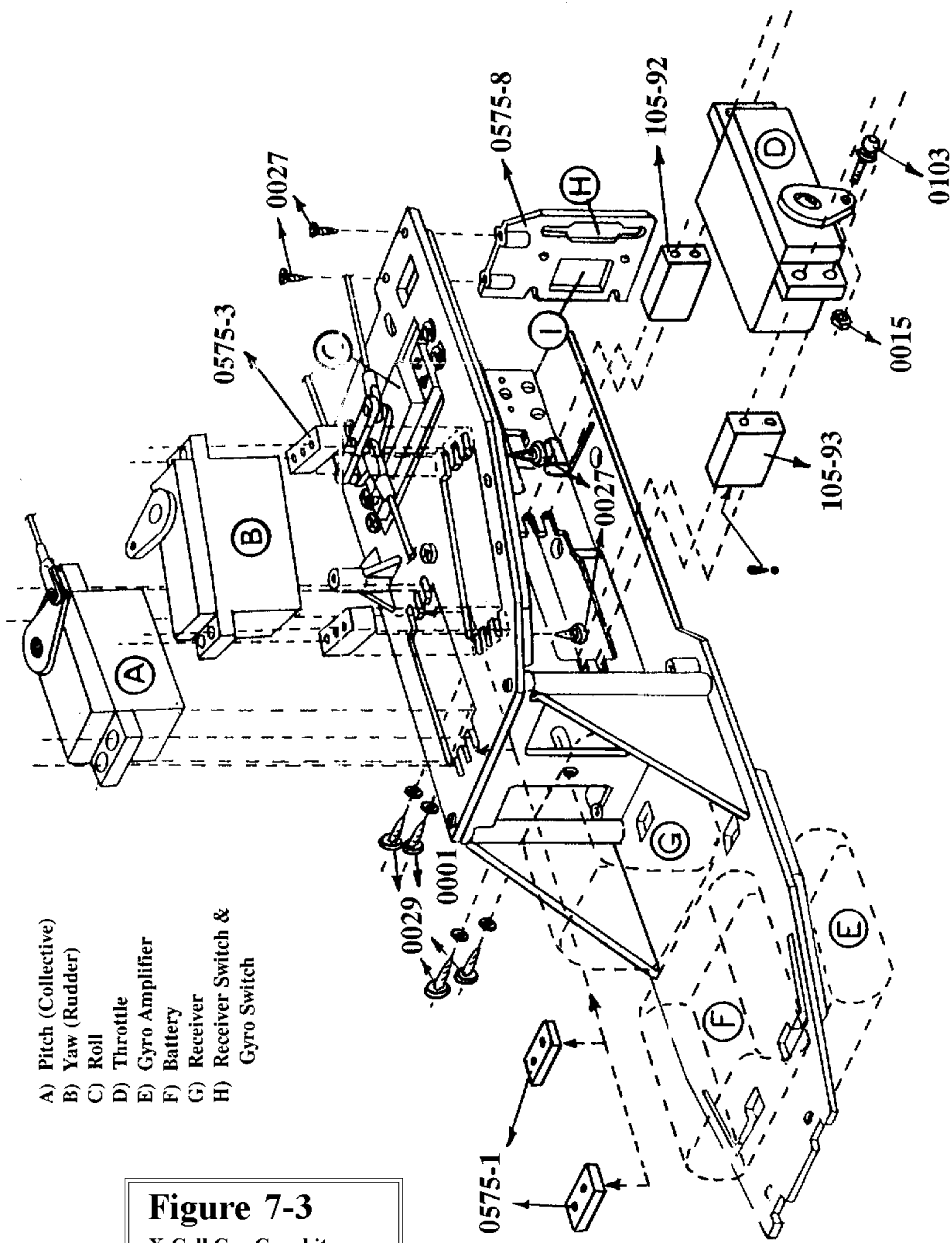


Figure 7-2
X-Cell Gas Graphite
<http://www.rchelibase.com>



- A) Pitch (Collective)
- B) Yaw (Rudder)
- C) Roll
- D) Throttle
- E) Gyro Amplifier
- F) Battery
- G) Receiver Switch
- H) Receiver Switch & Gyro Switch

Figure 7-3
 X-Cell Gas Graphite
<http://www.rchelibase.com>

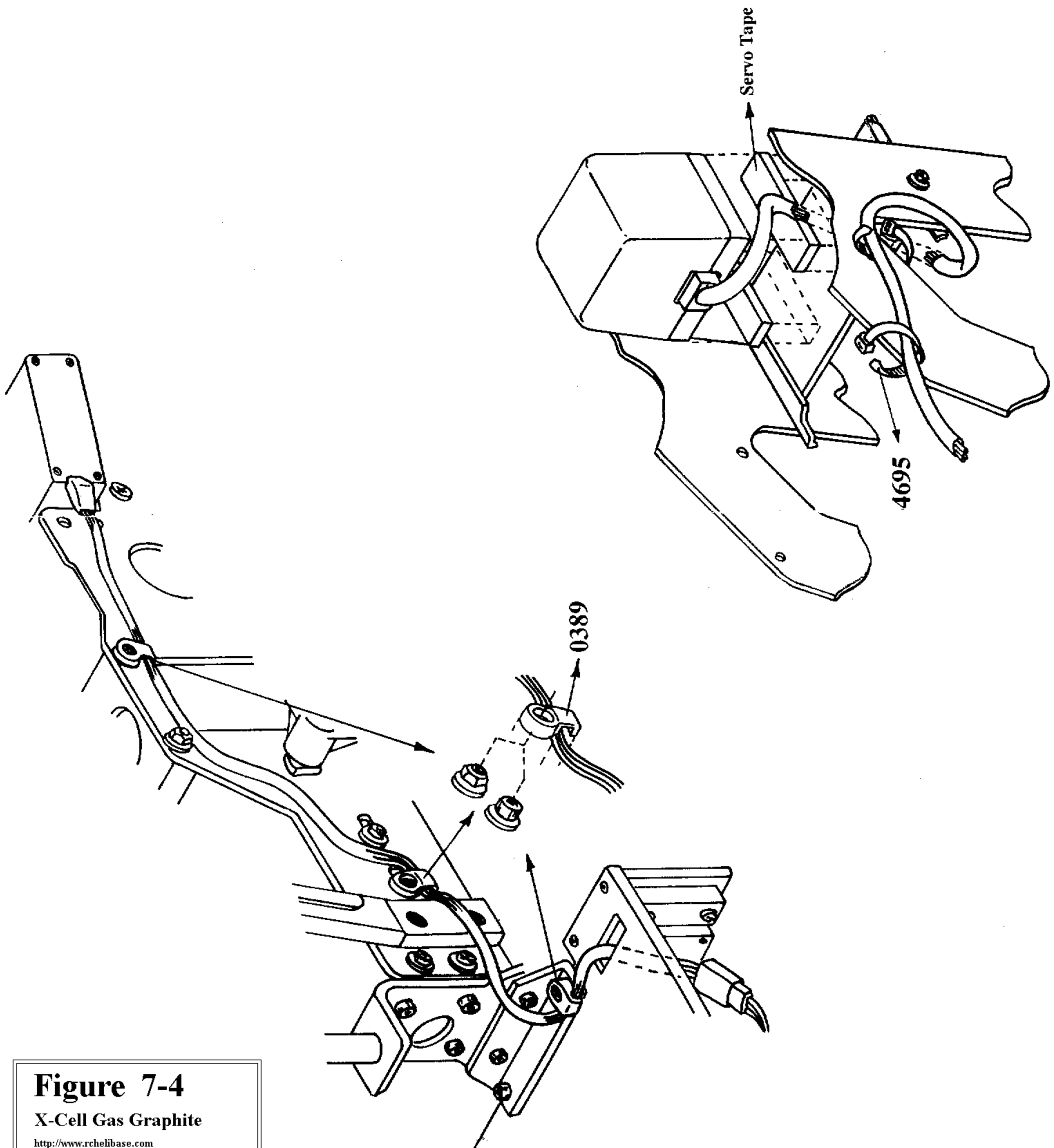
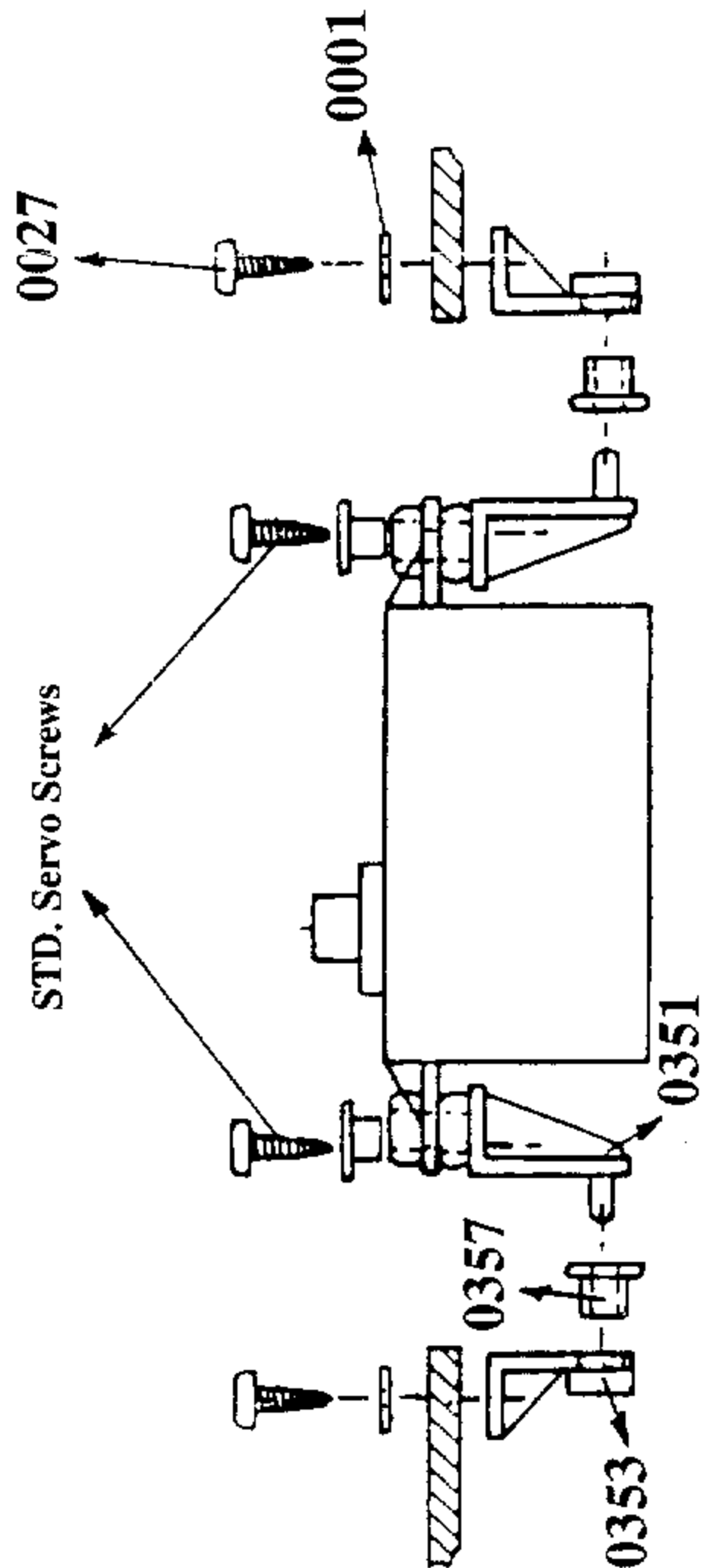
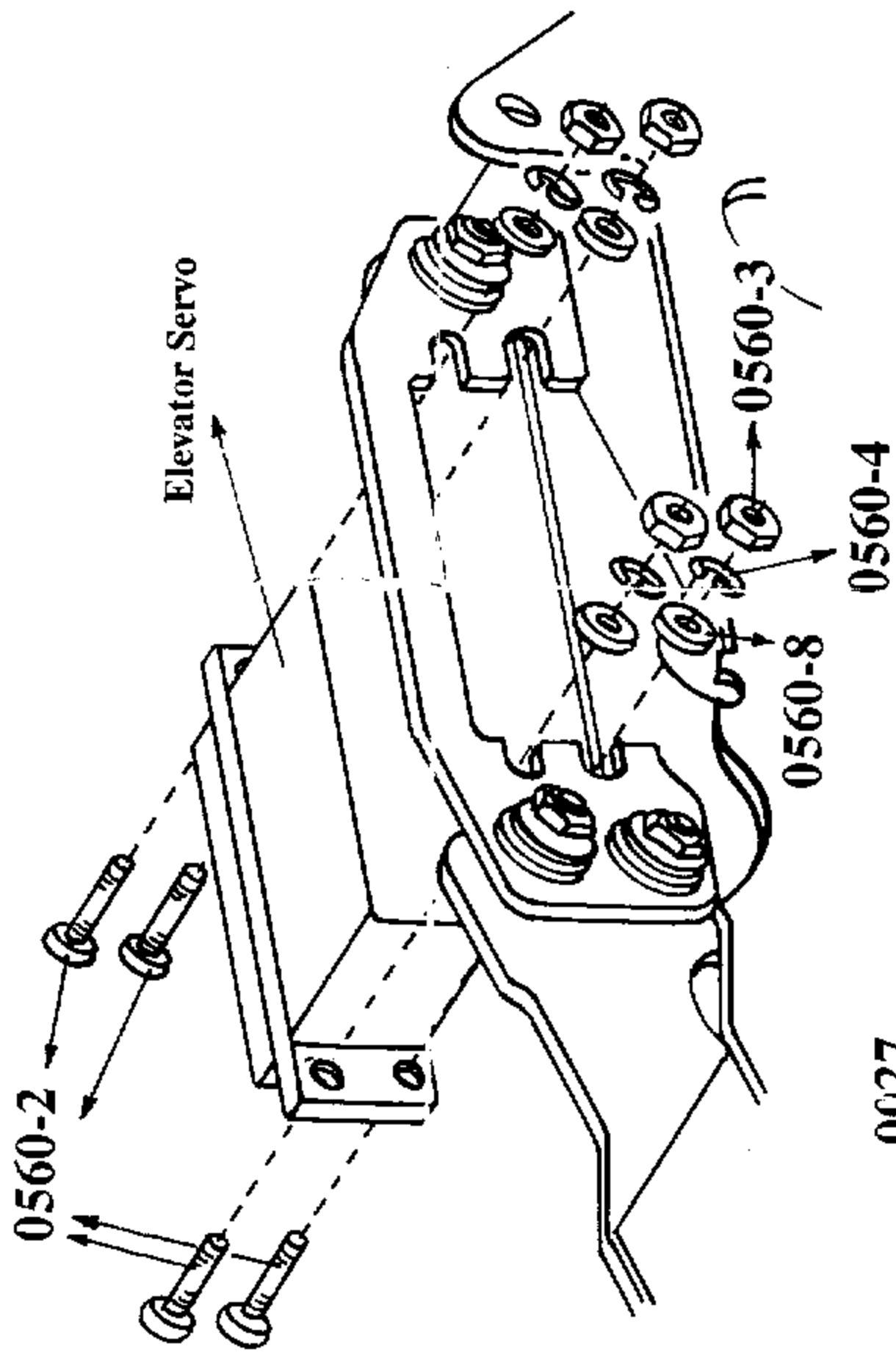


Figure 7-4

X-Cell Gas Graphite

<http://www.rchelibase.com>



Aileron Servo

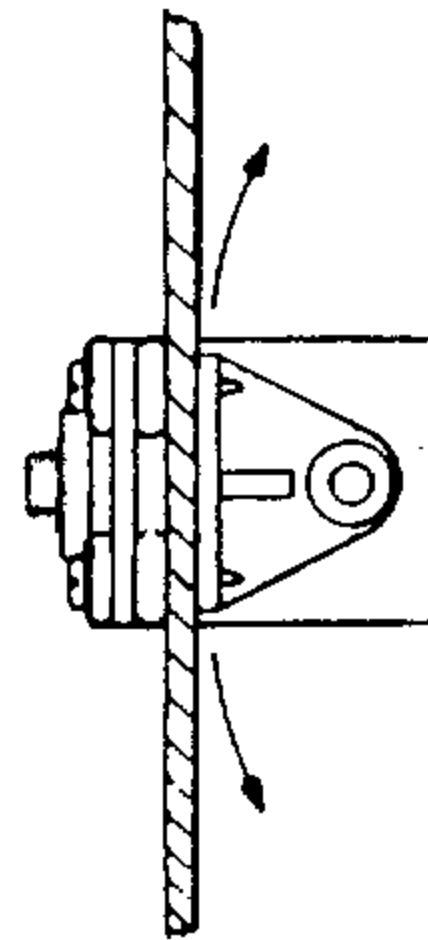


Figure 7-5
X-Cell Gas Graphite

<http://www.rchelibase.com>

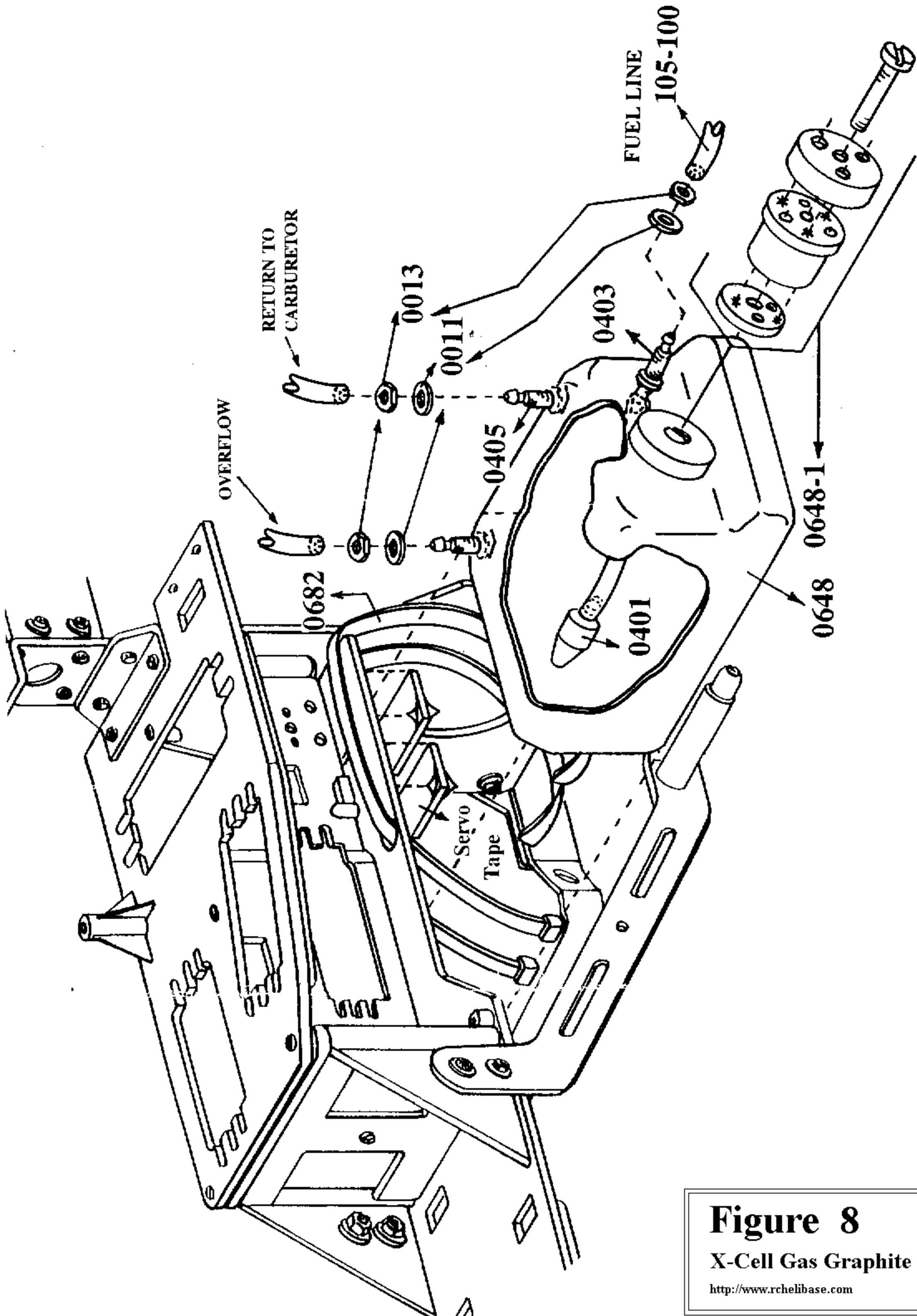


Figure 8
 X-Cell Gas Graphite
<http://www.rchelibase.com>

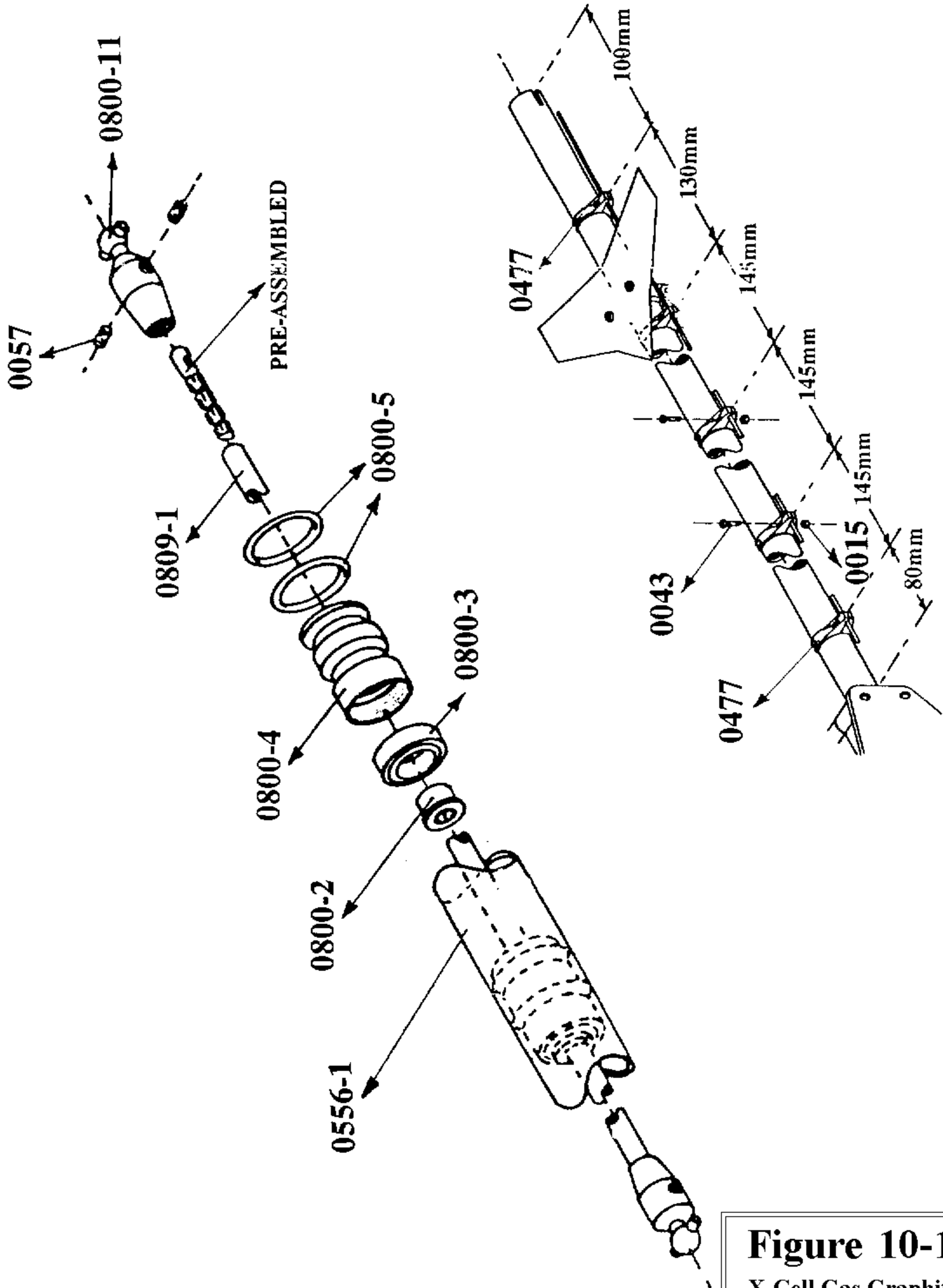


Figure 10-1

X-Cell Gas Graphite

<http://www.rchelibase.com>

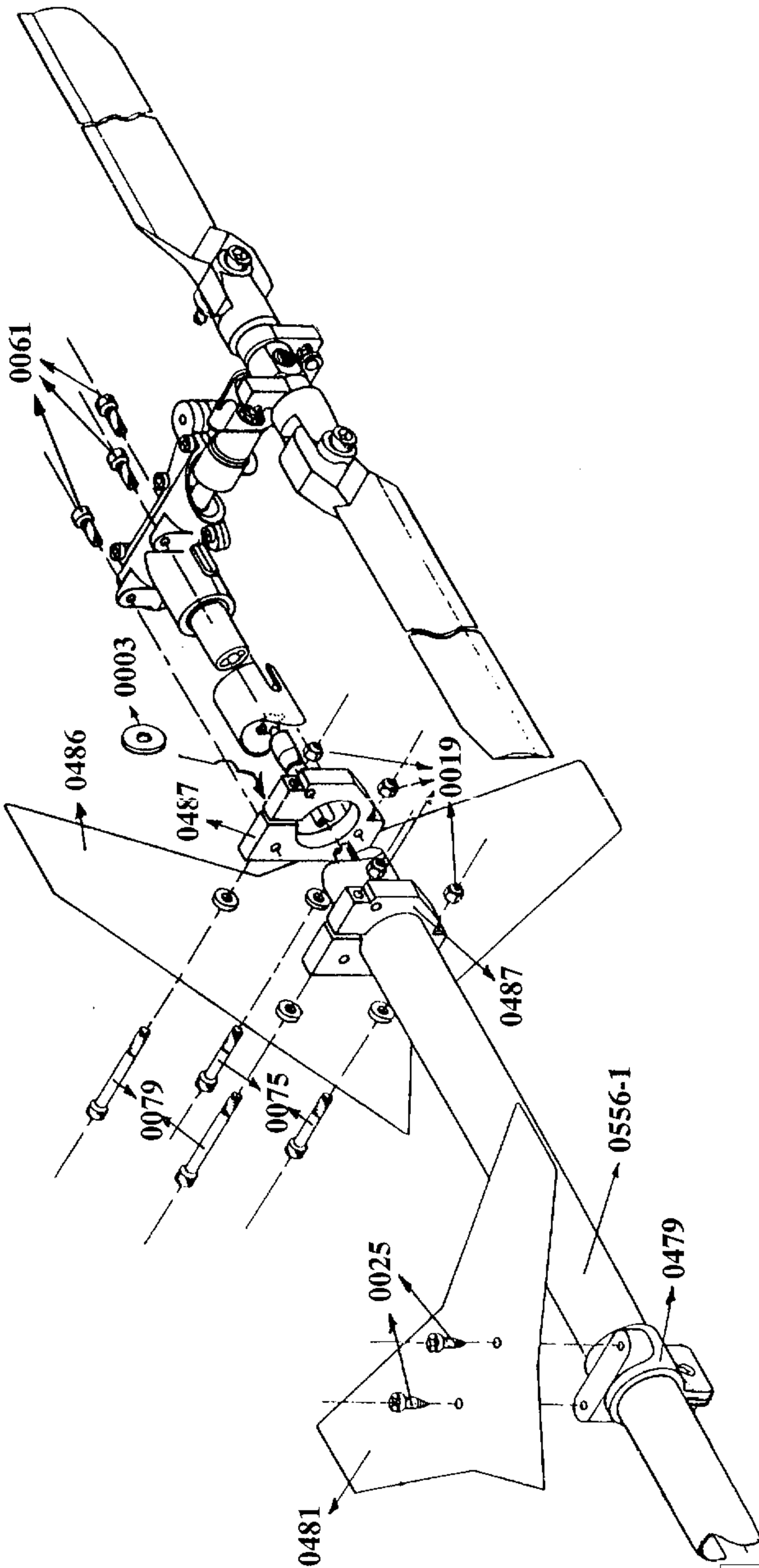


Figure 10-2
X-Cell Gas Graphite
<http://www.rchelibase.com>

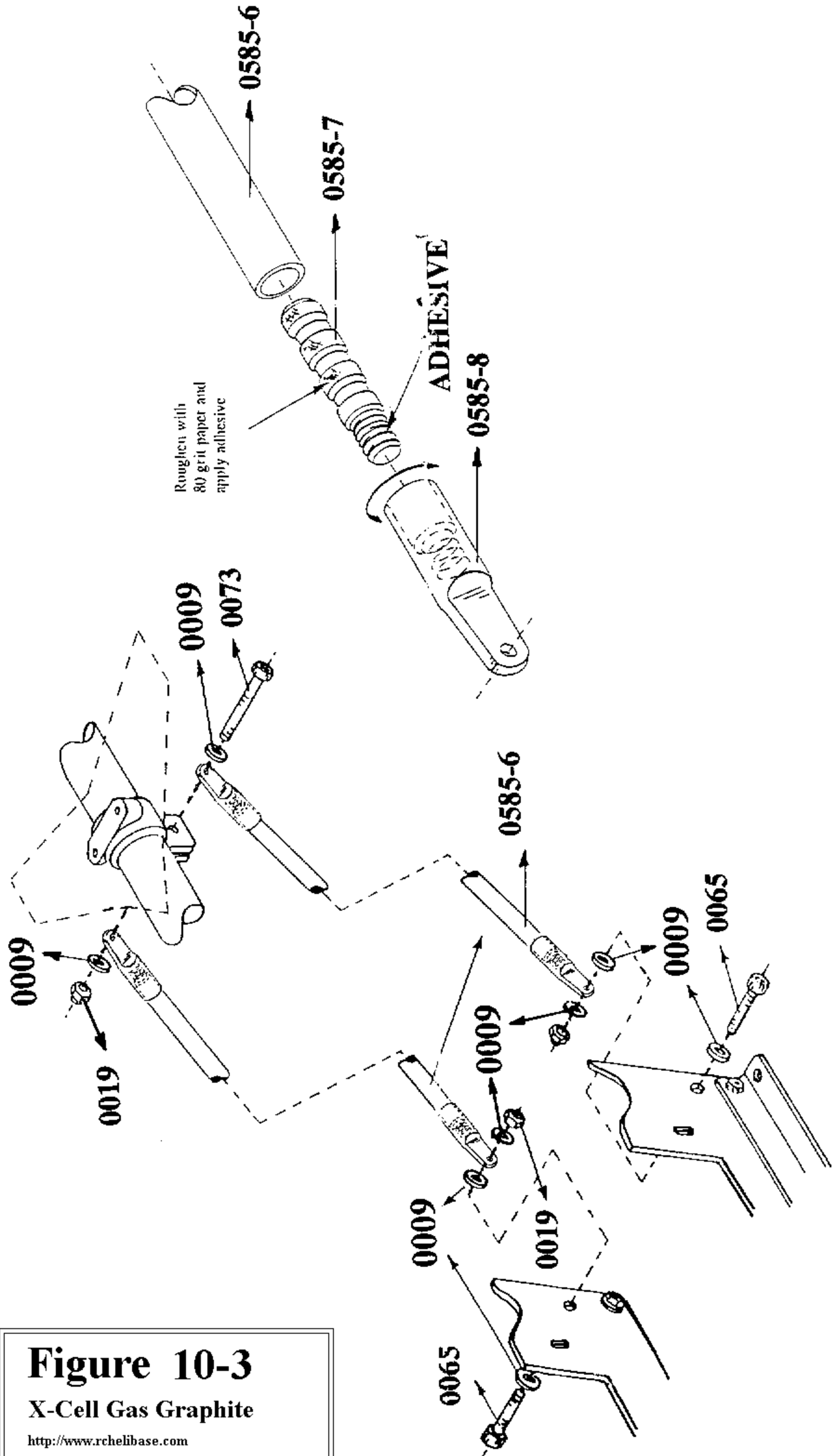
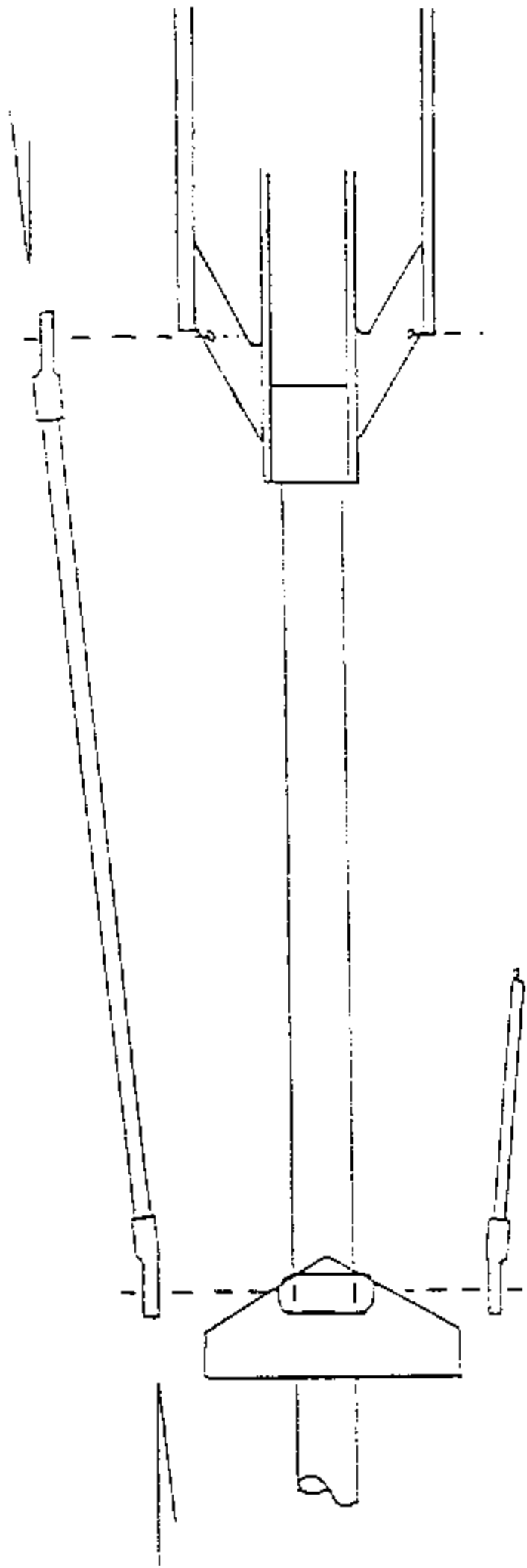
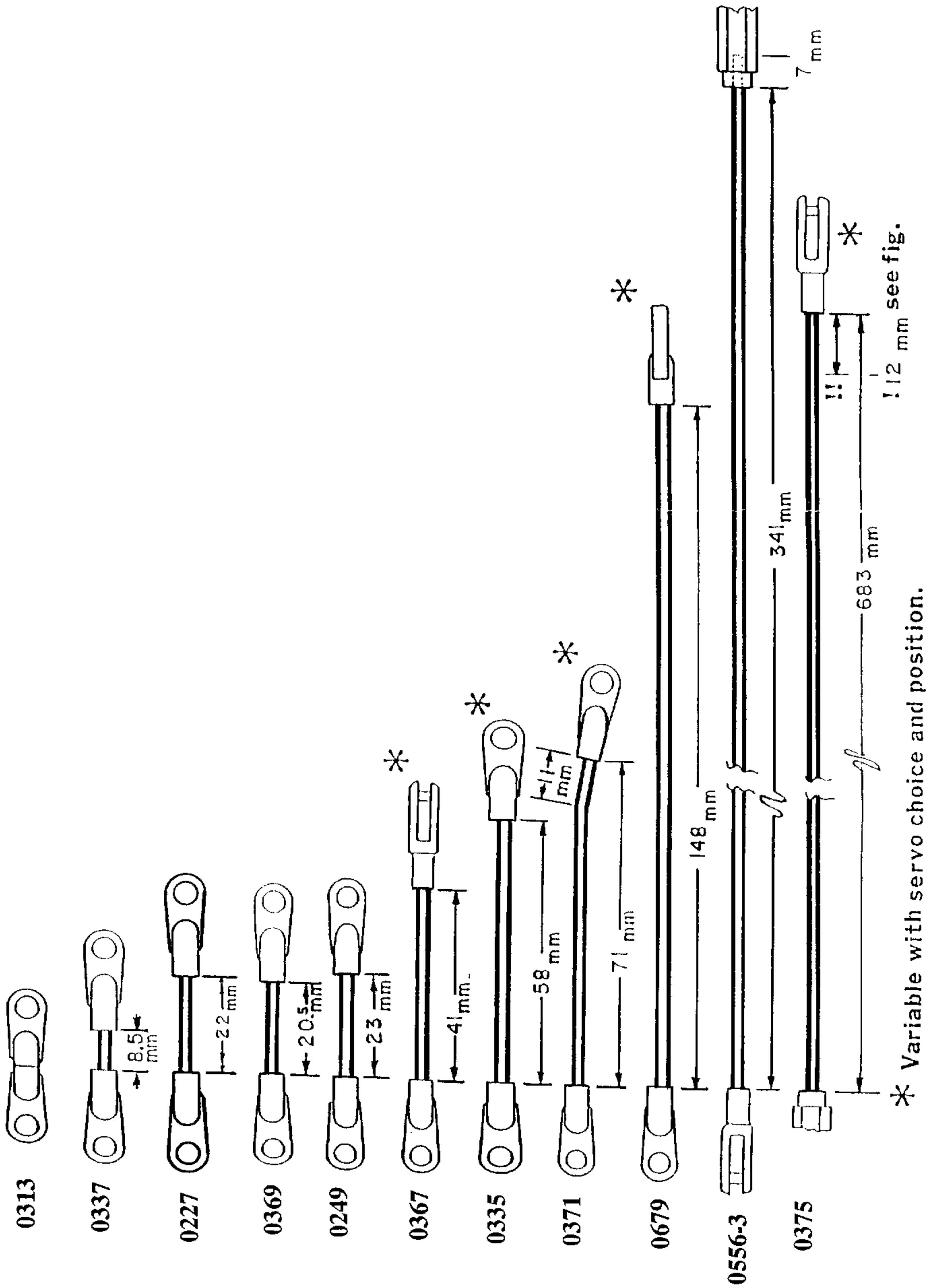


Figure 10-3
 X-Cell Gas Graphite
<http://www.rchelibase.com>



* Variable with servo choice and position.

Figure 11-1
 X-Cell Gas Graphite
<http://www.rchelibase.com>

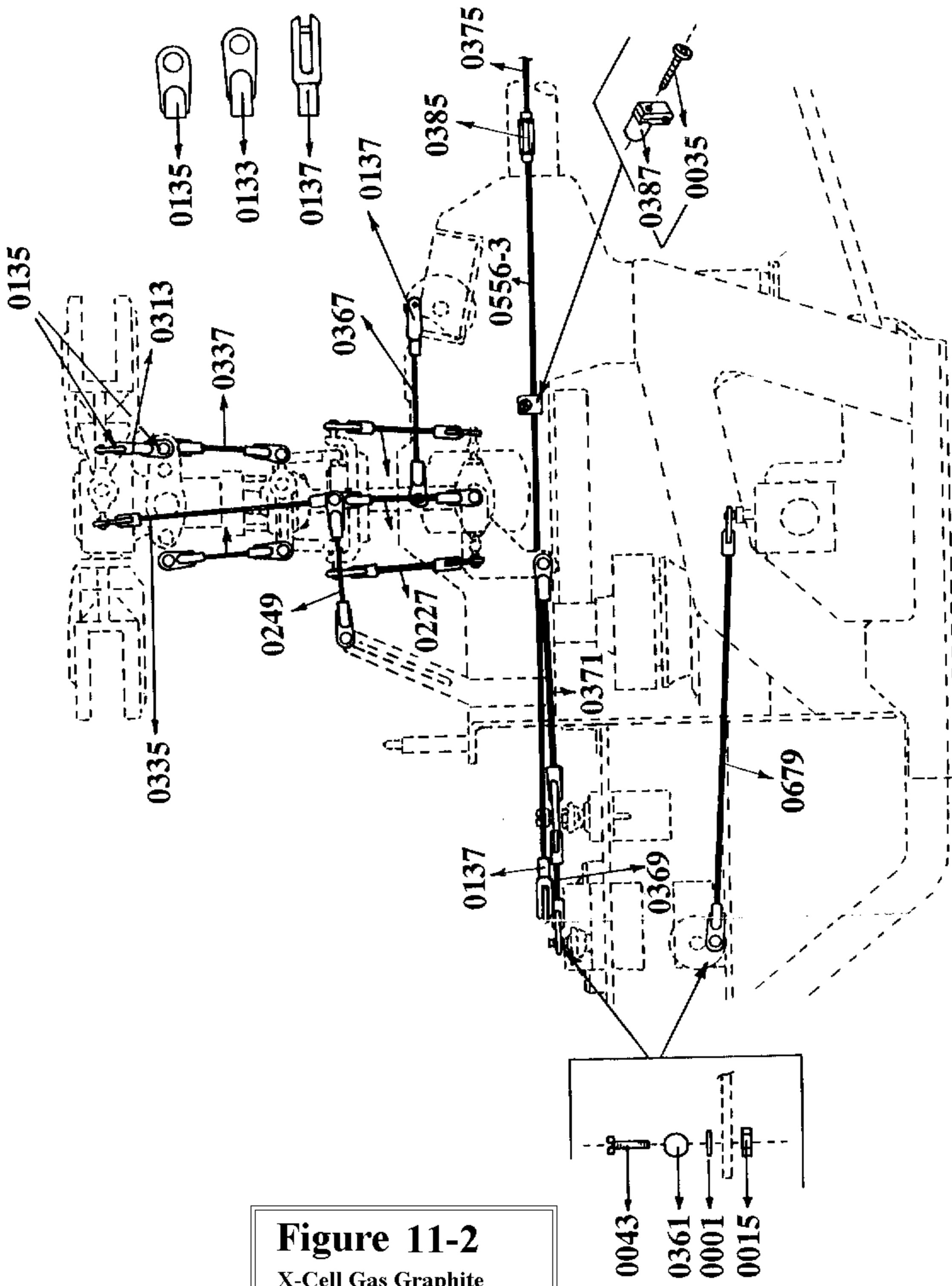


Figure 11-2
 X-Cell Gas Graphite
<http://www.rchelibase.com>

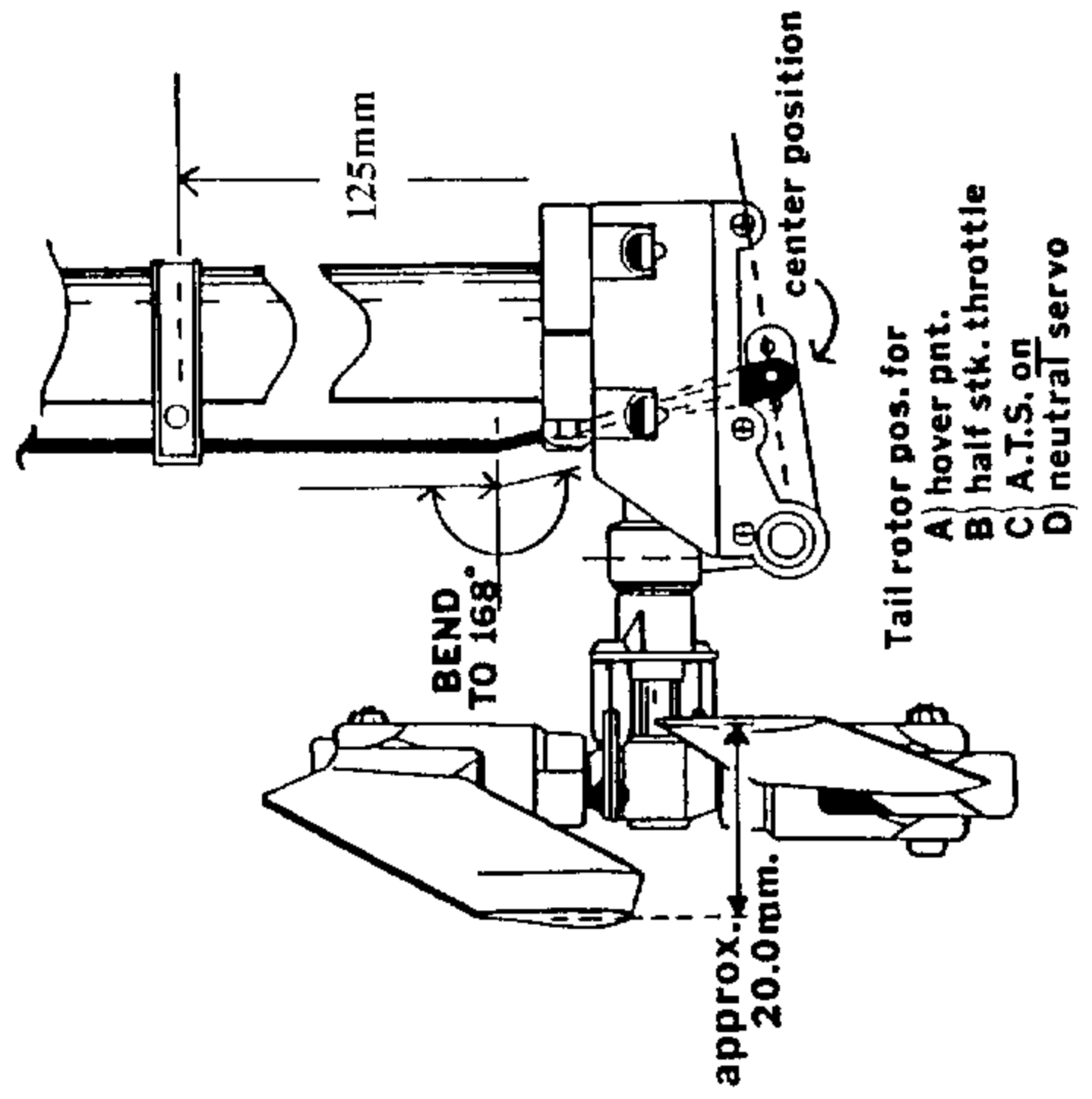
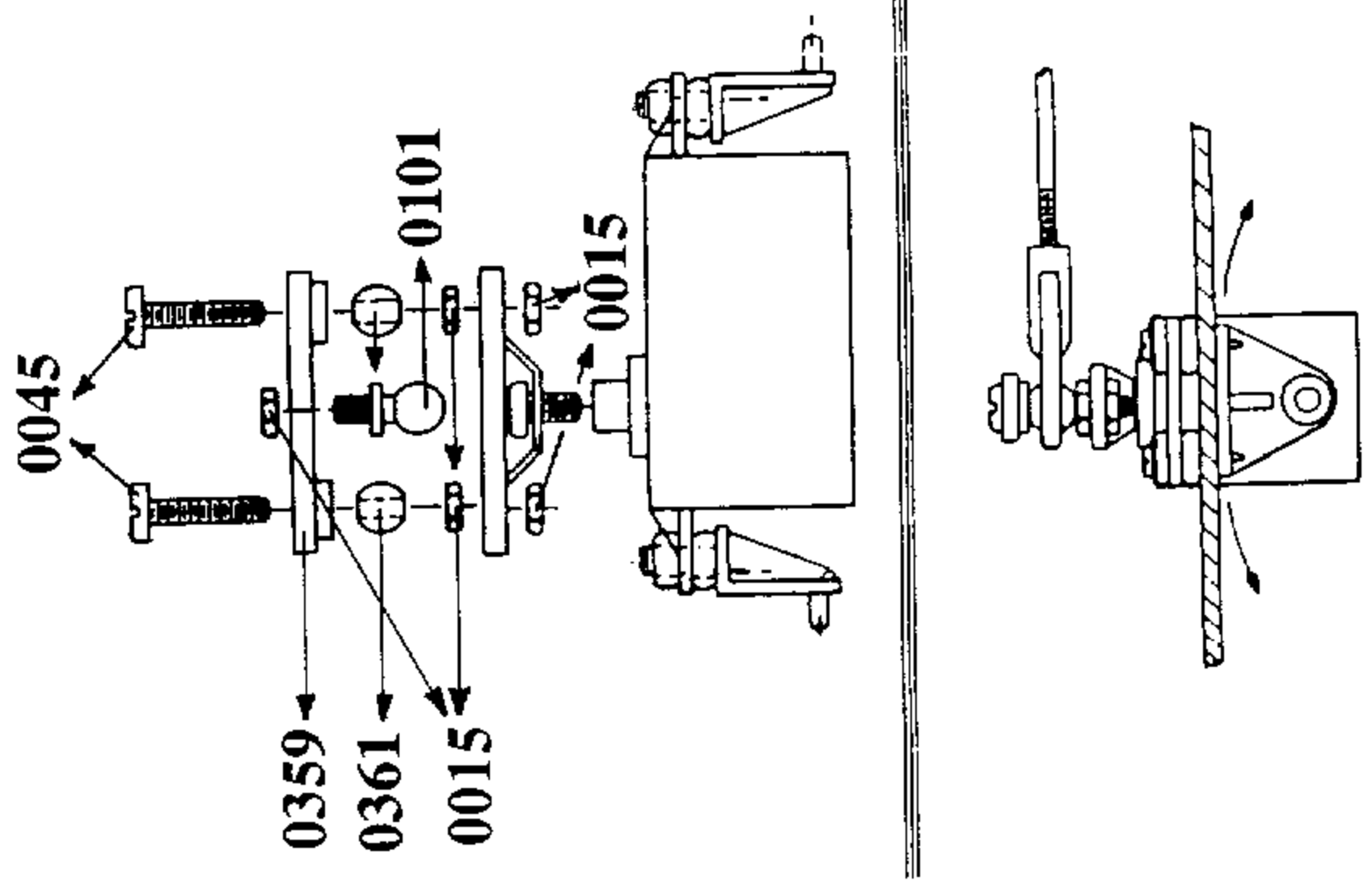
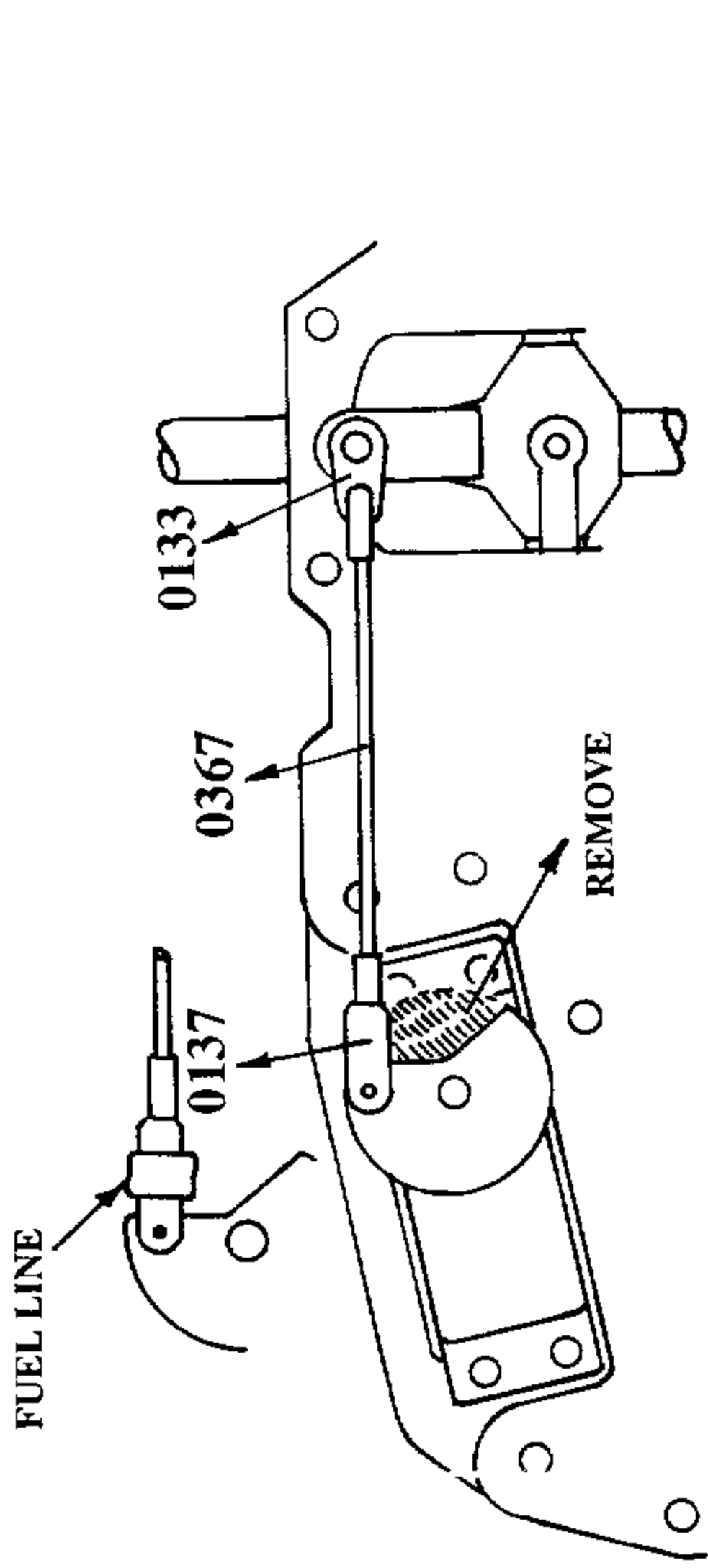


Figure 11-3
 X-Cell Gas Graphite
<http://www.rchelibase.com>

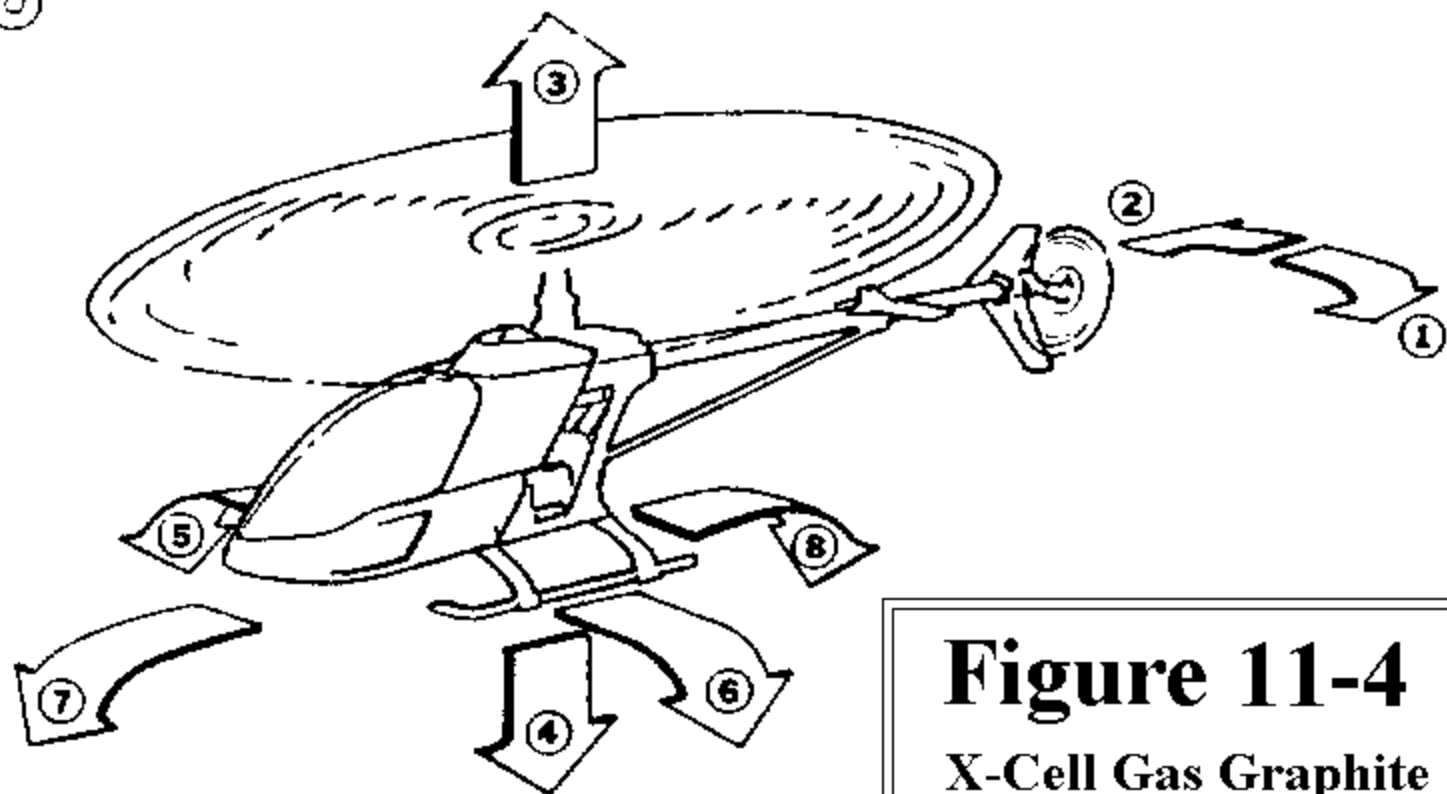
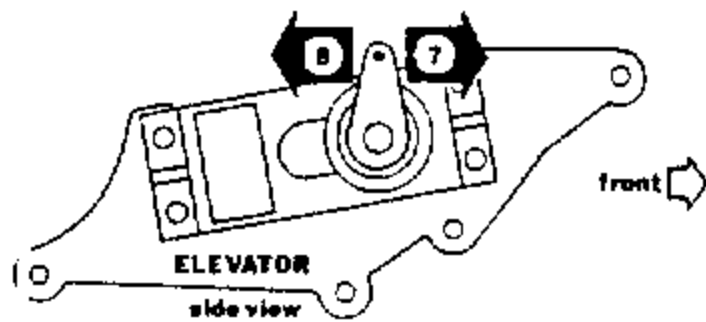
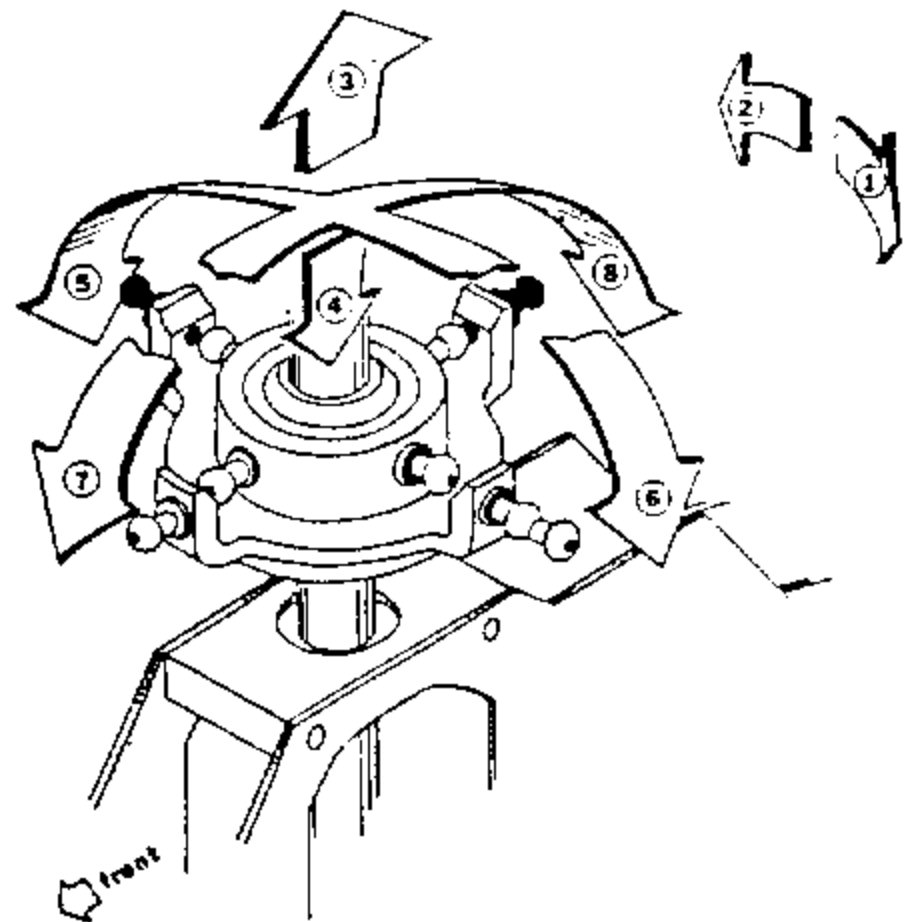
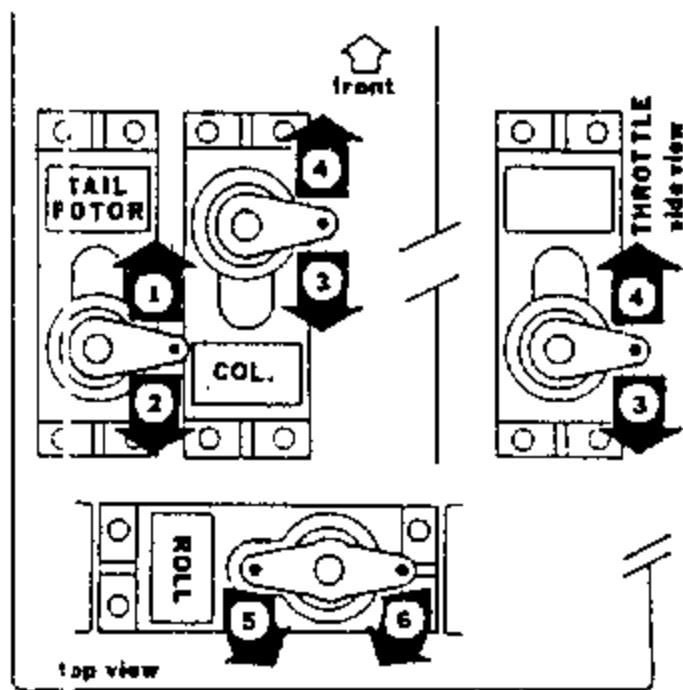
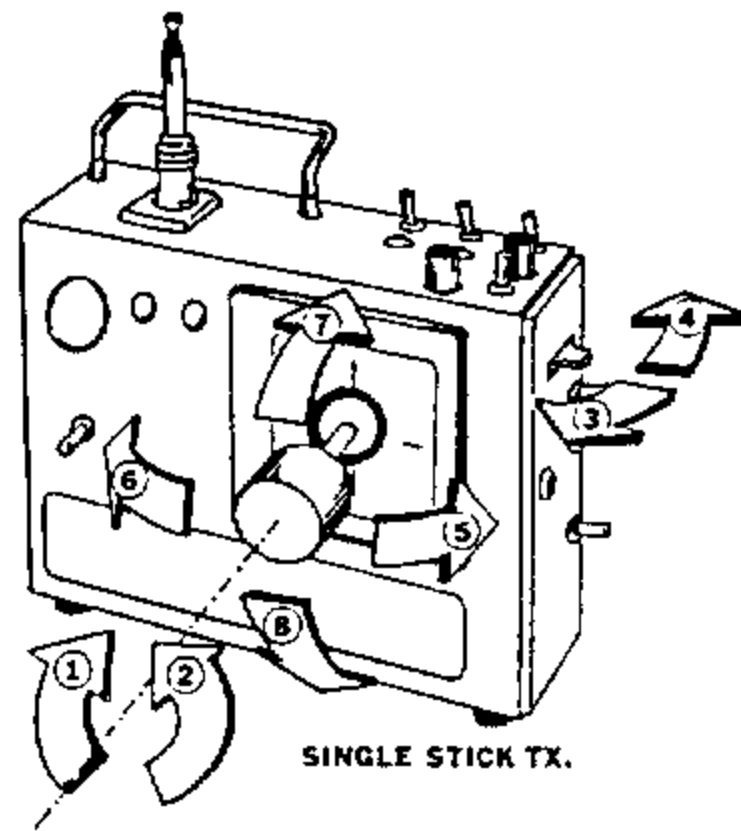
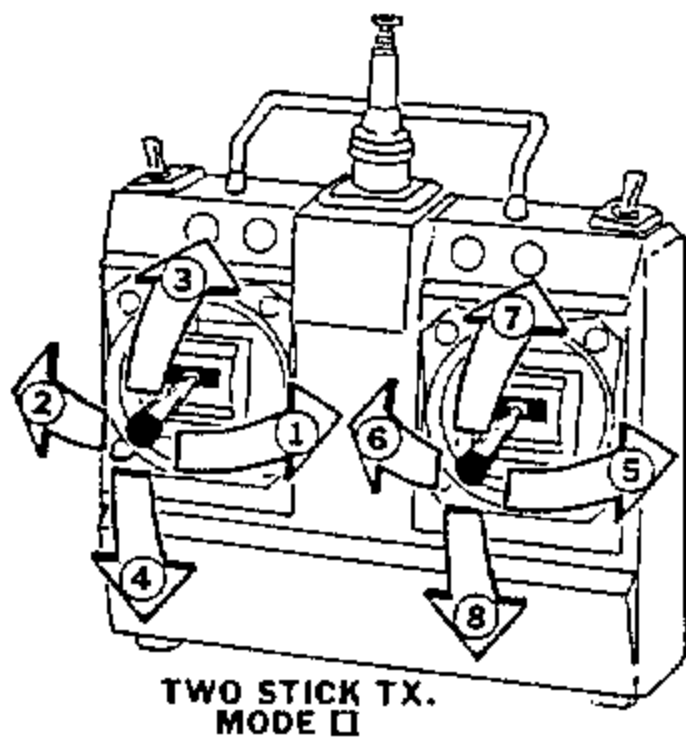


Figure 11-4

X-Cell Gas Graphite

<http://www.rcelibase.com>

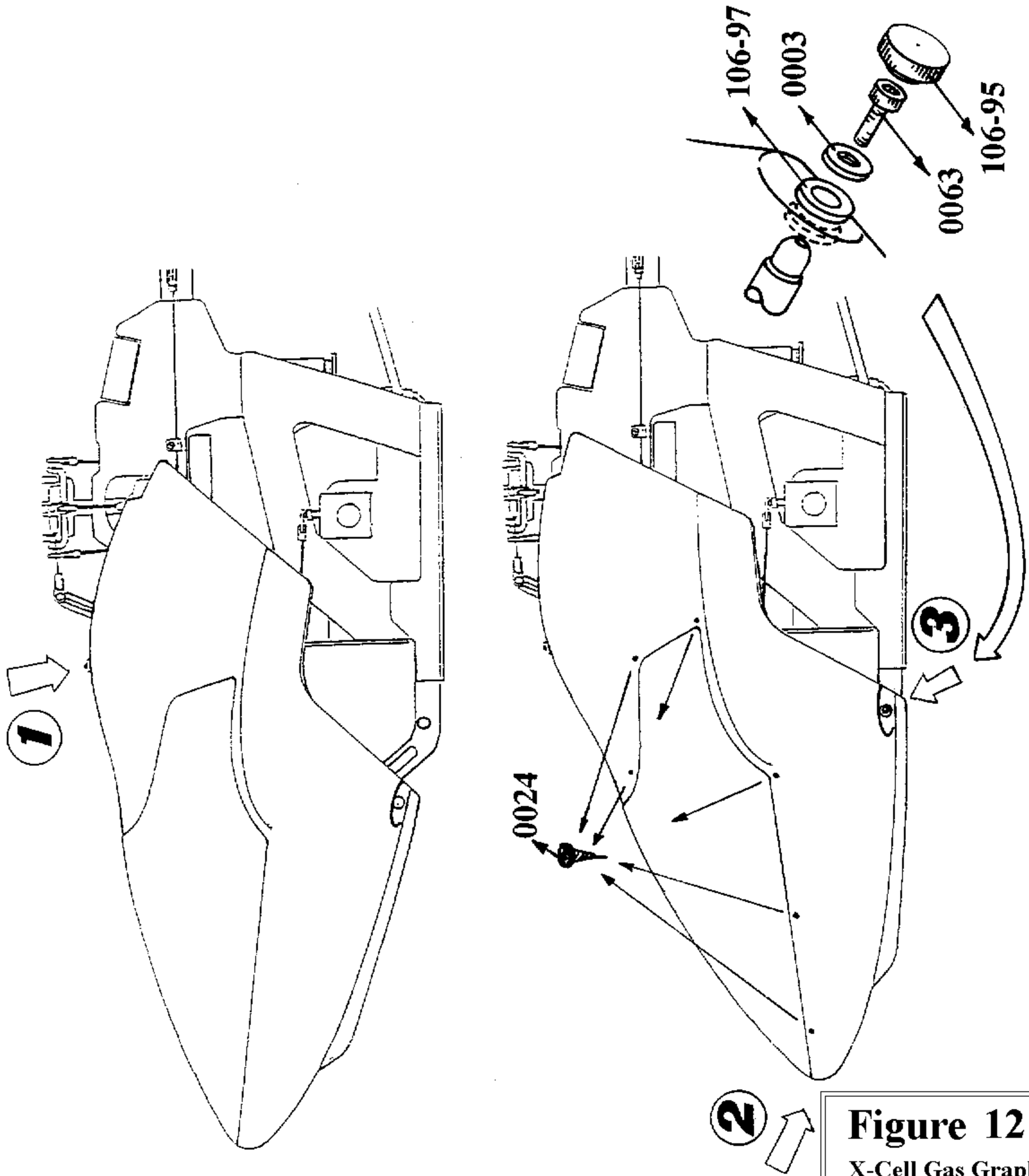


Figure 12
X-Cell Gas Graphite
<http://www.rchelibase.com>

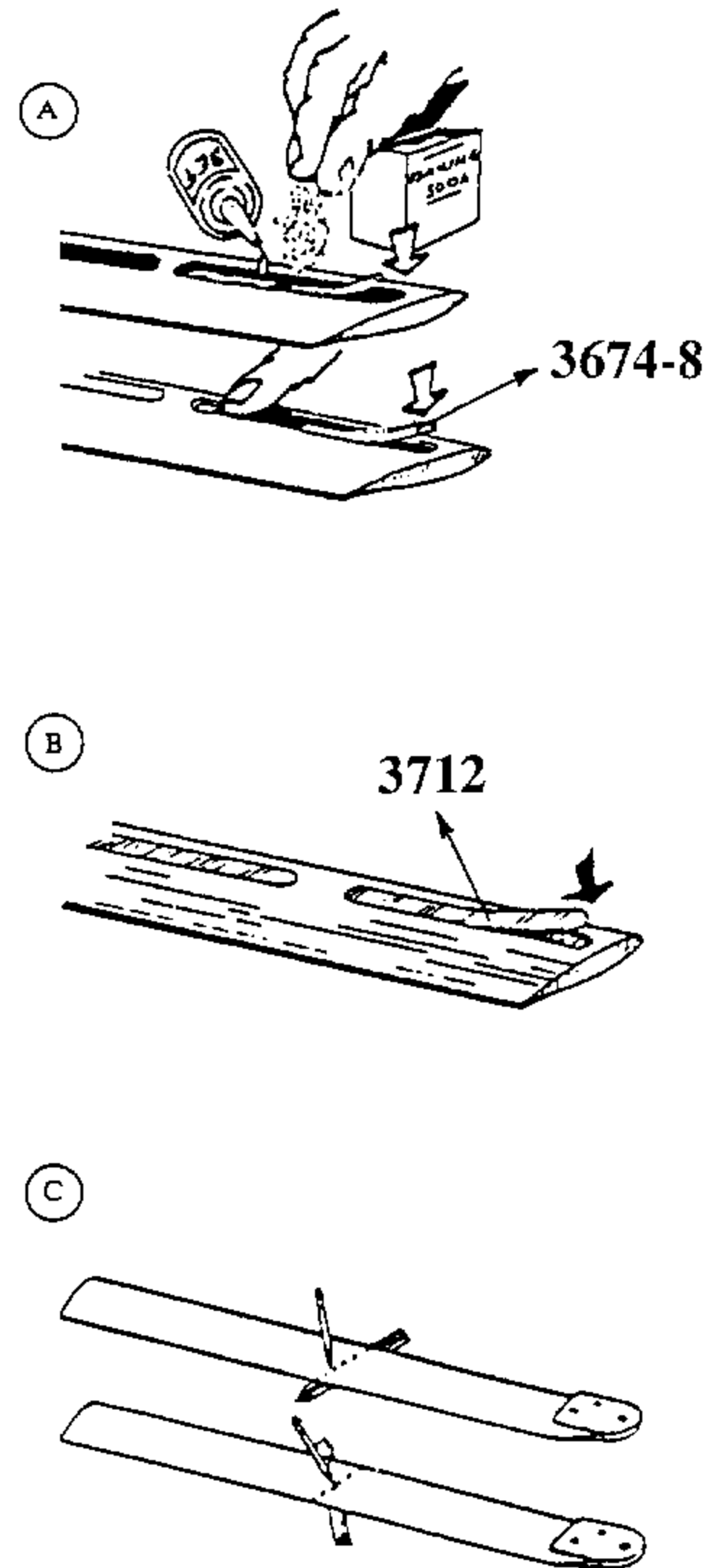
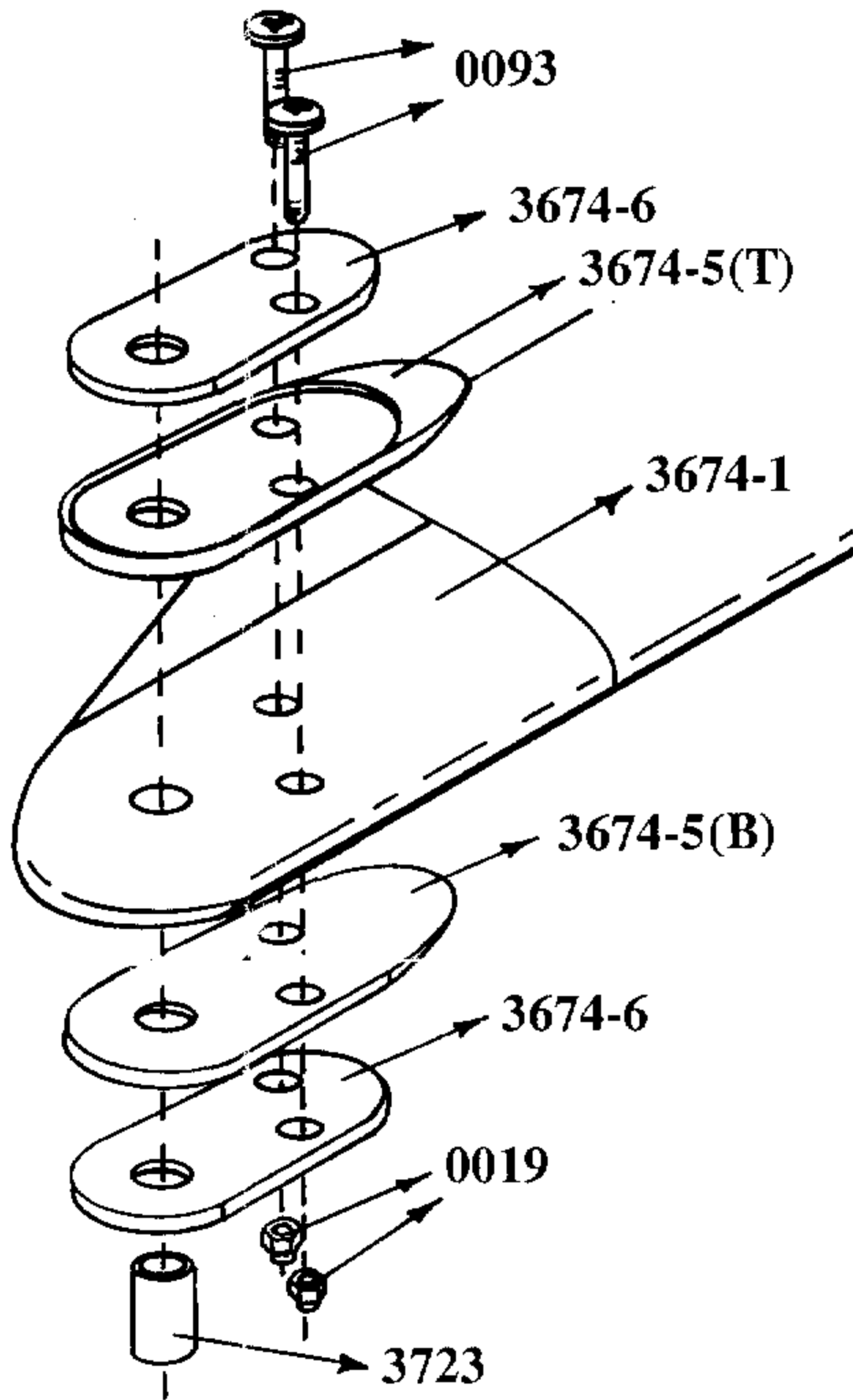


Figure 13-1

X-Cell Gas Graphite

<http://www.rchelibase.com>

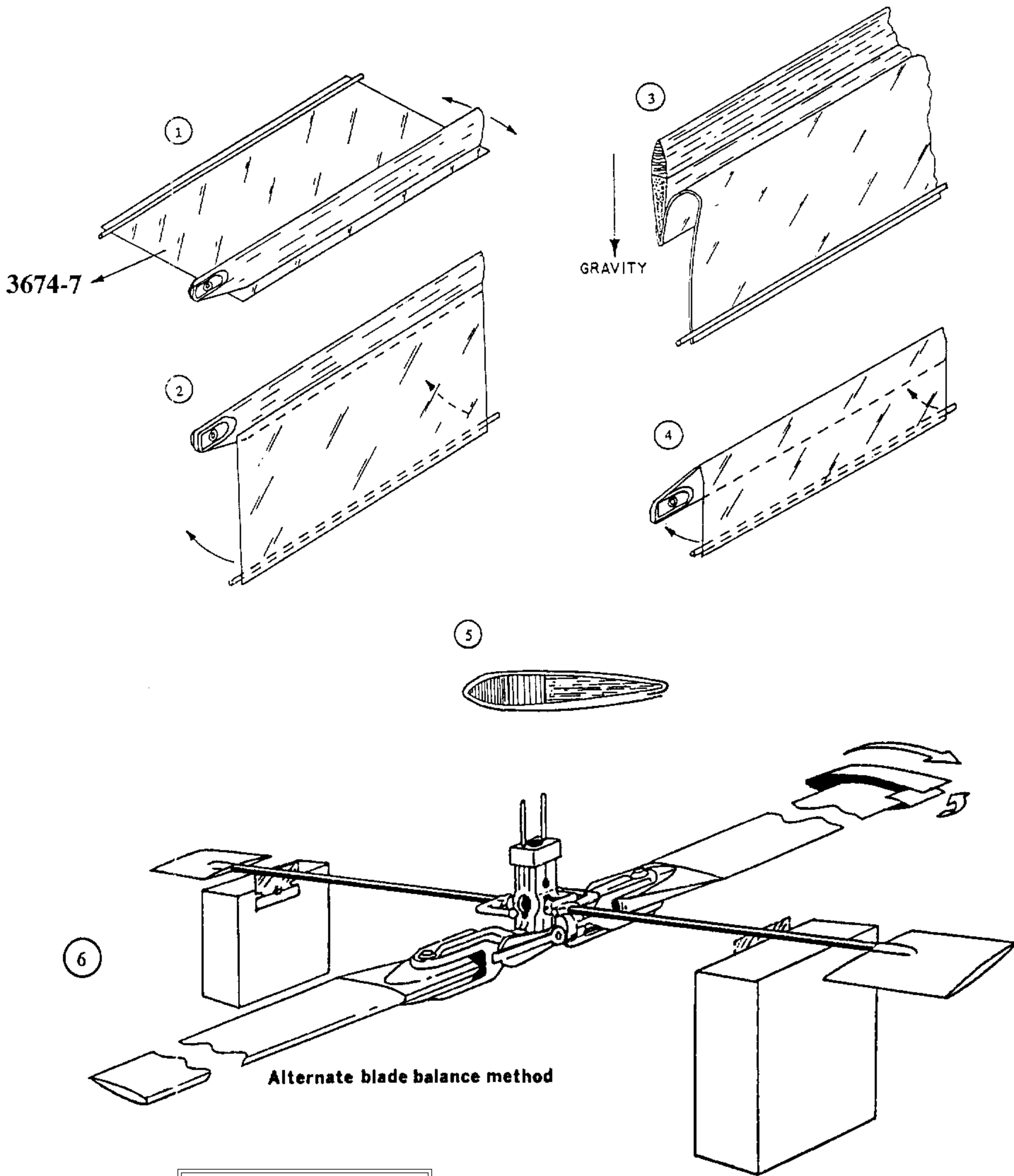


Figure 13-2
 X-Cell Gas Graphite
<http://www.rchelibase.com>

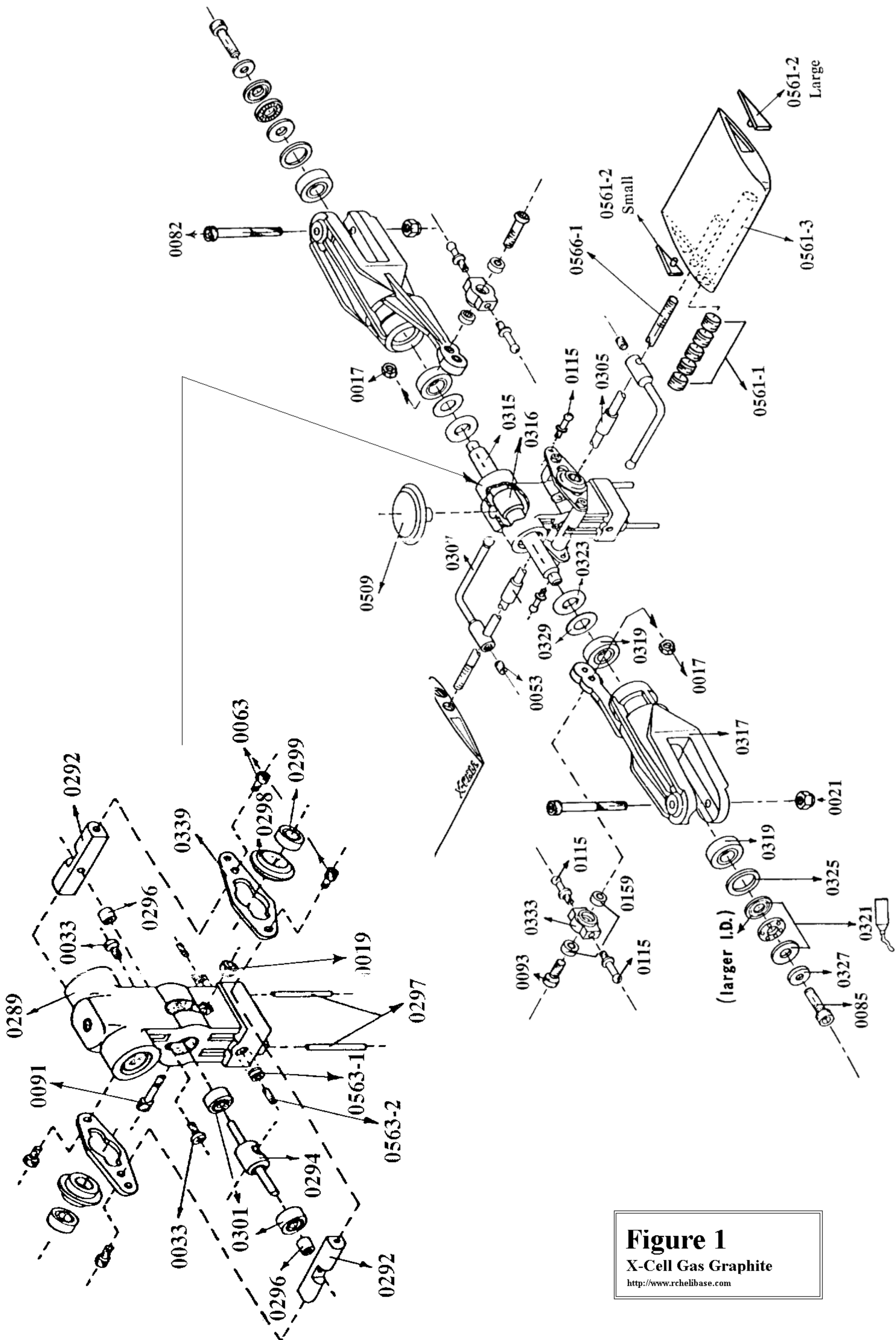


Figure 1
 X-Cell Gas Graphite
<http://www.rchelibase.com>

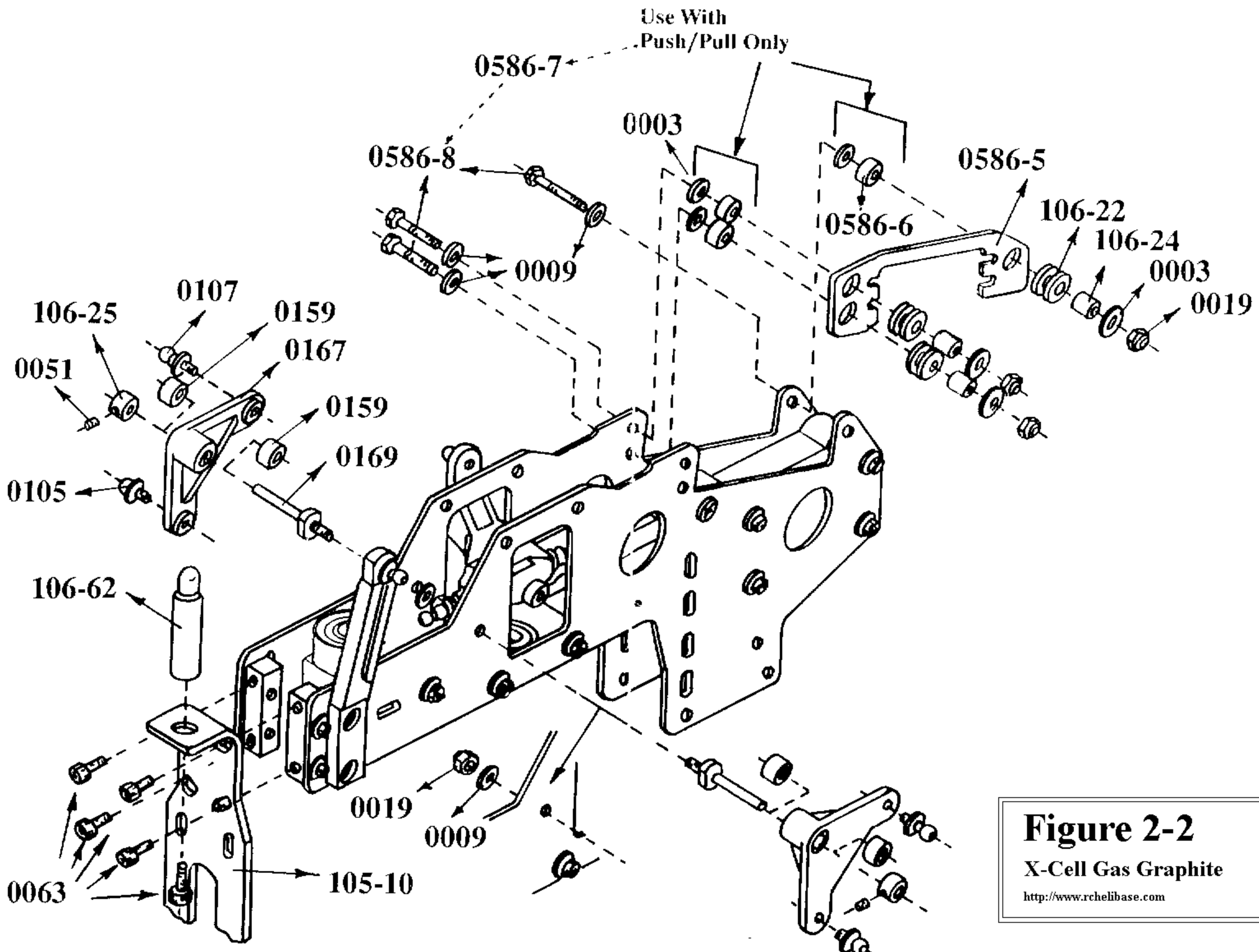
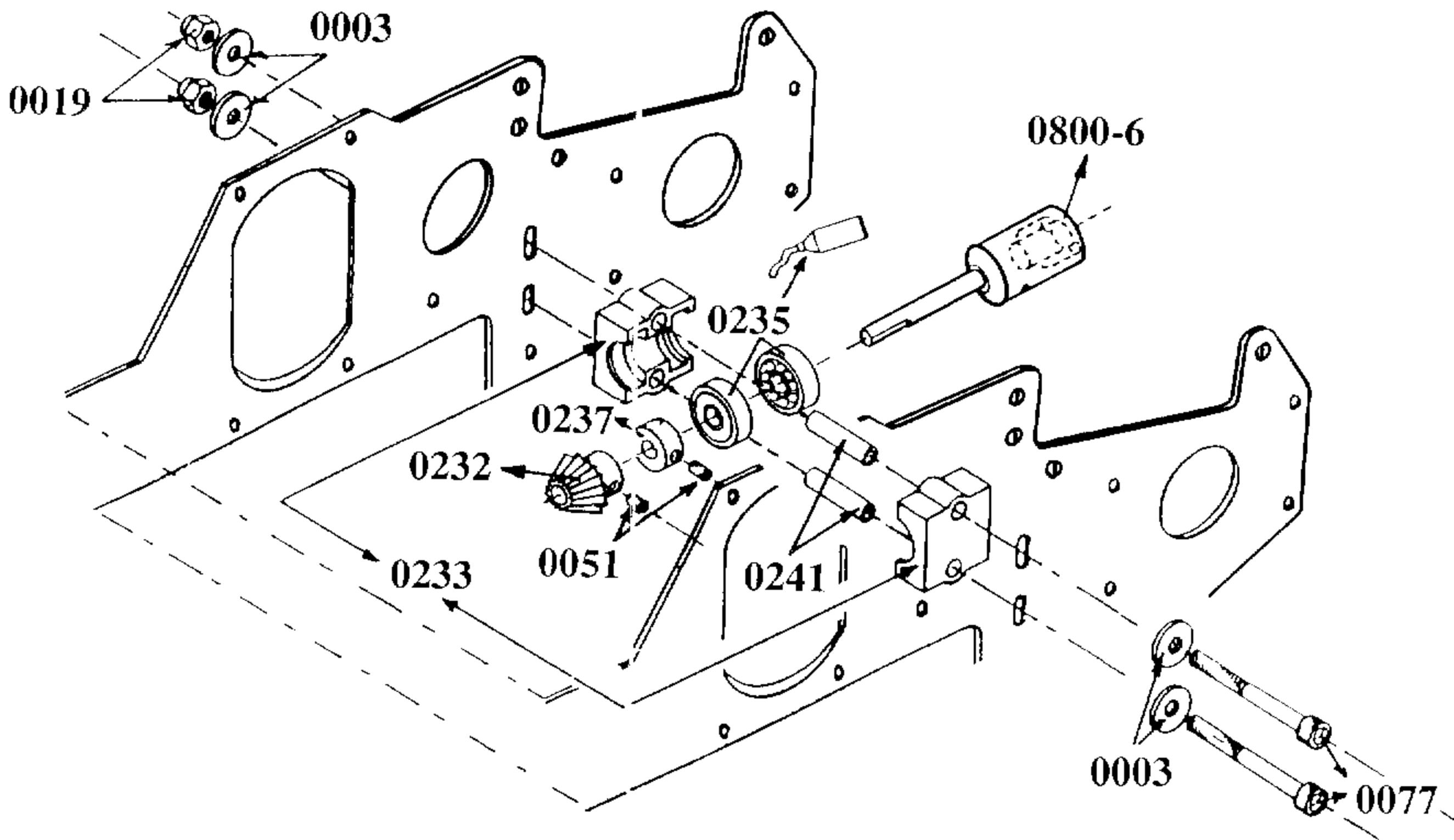


Figure 2-2
 X-Cell Gas Graphite
<http://www.rchelibase.com>

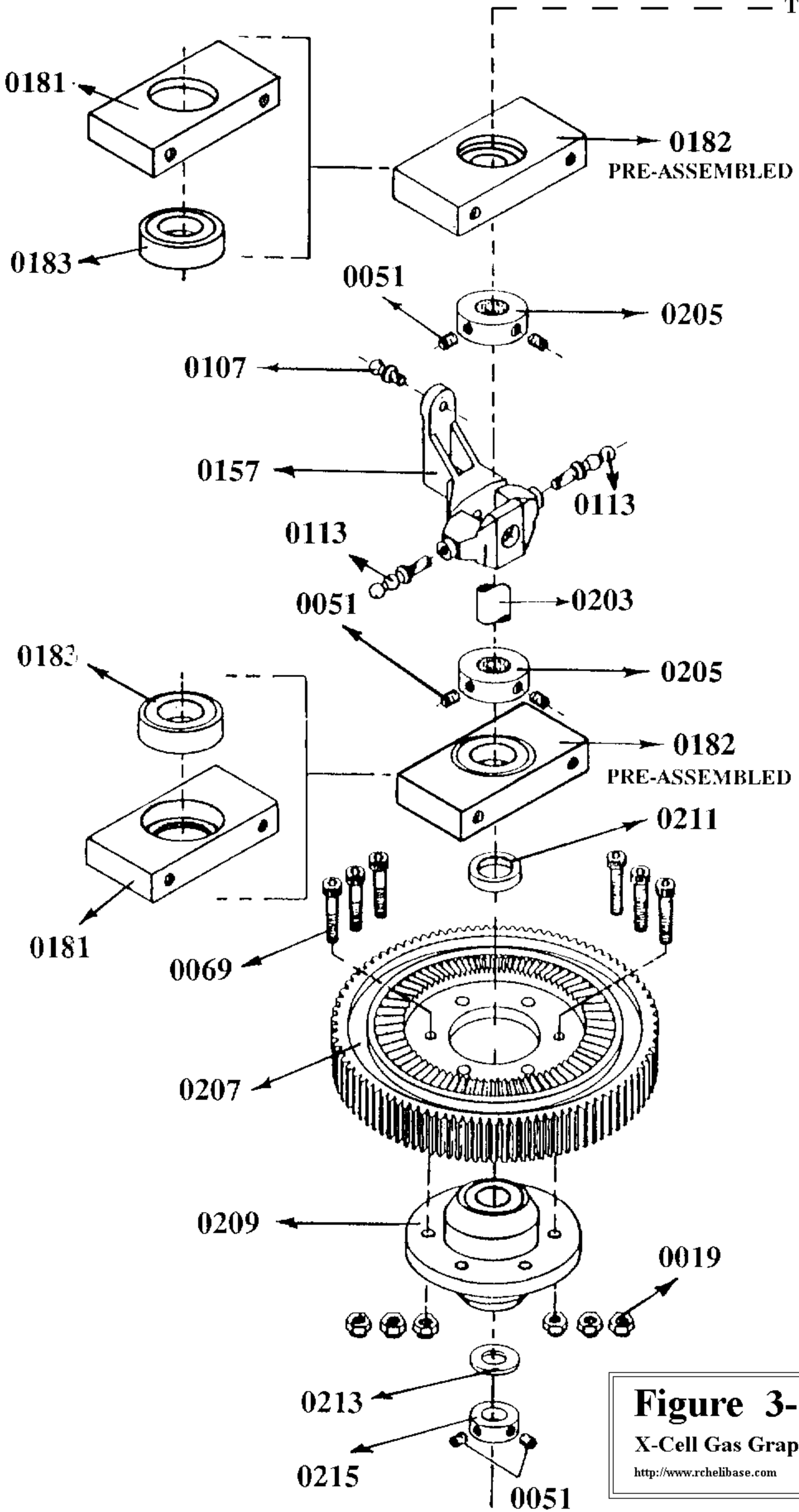


Figure 3-1
X-Cell Gas Graphite
<http://www.rchelibase.com>

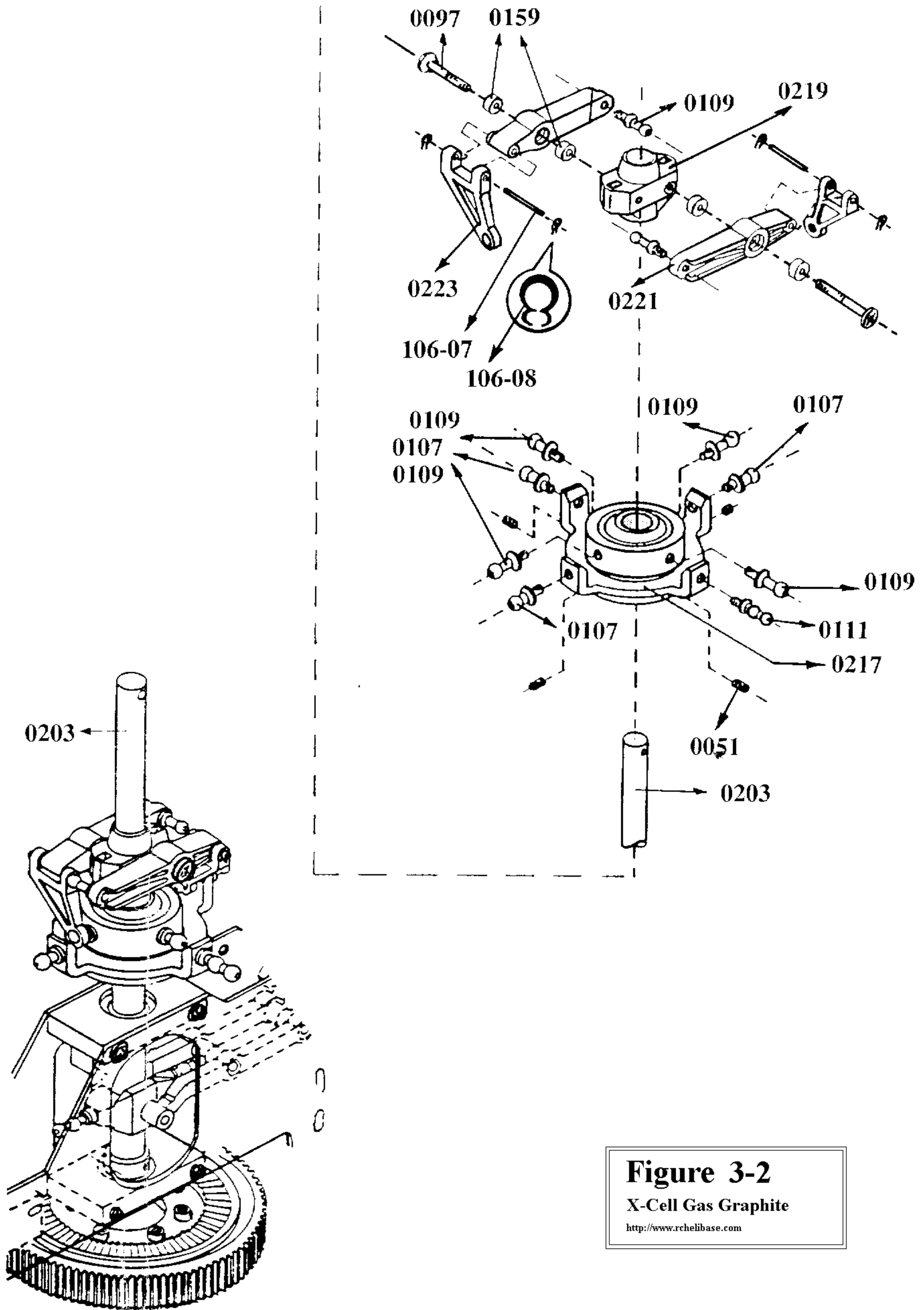


Figure 3-2
X-Cell Gas Graphite
<http://www.rchelibase.com>

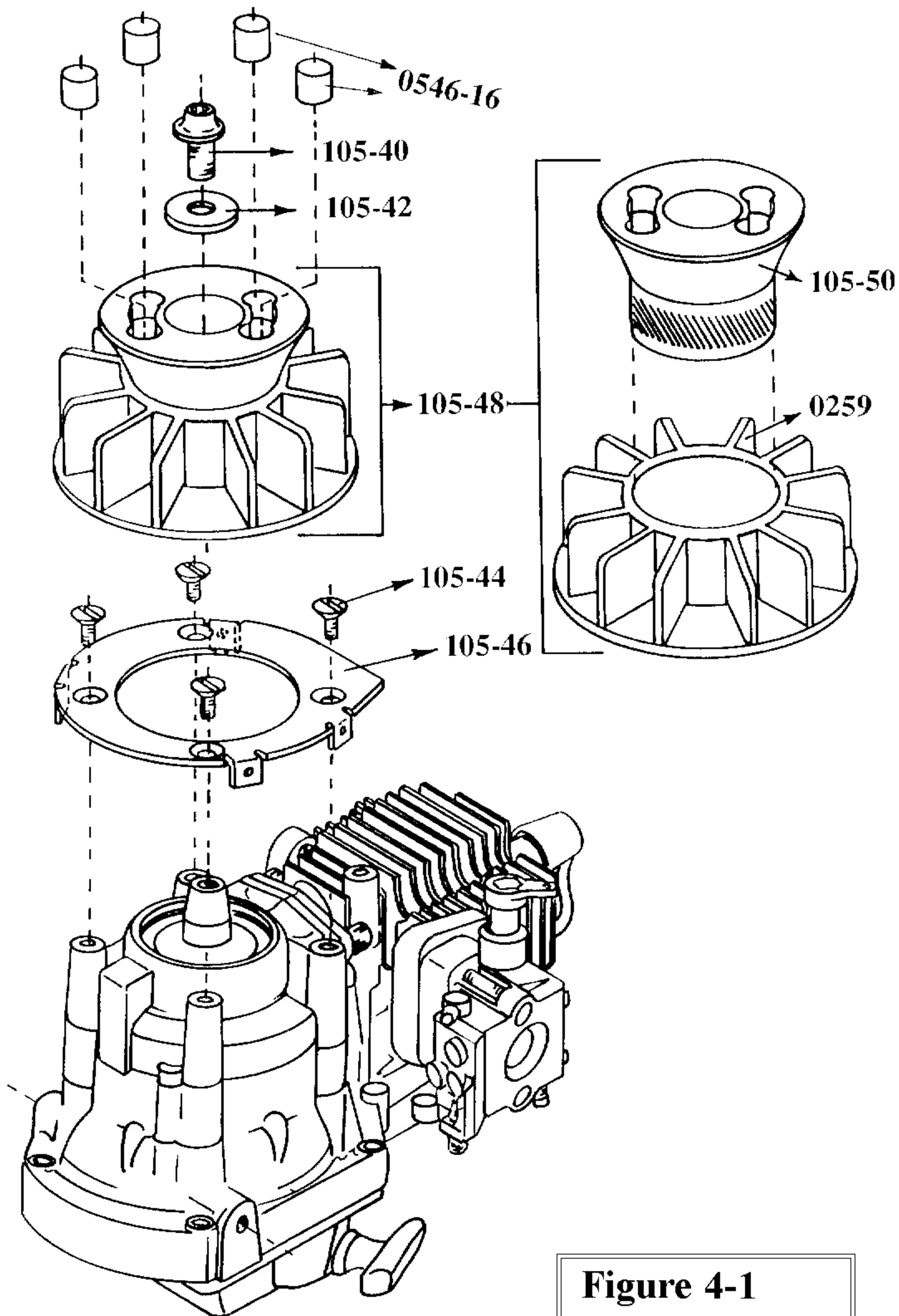


Figure 4-1

X-Cell Gas Graphite

<http://www.rchelibase.com>

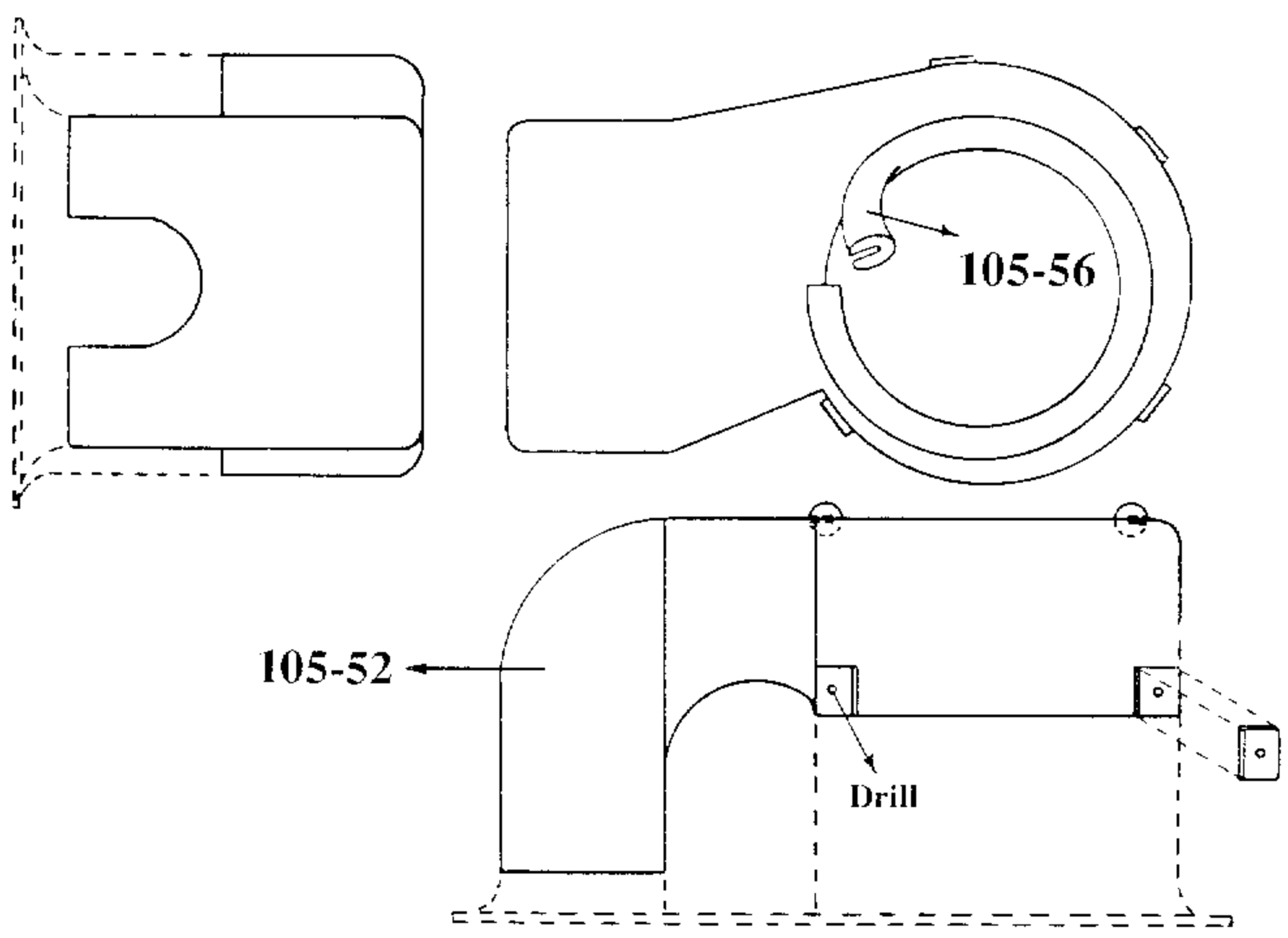
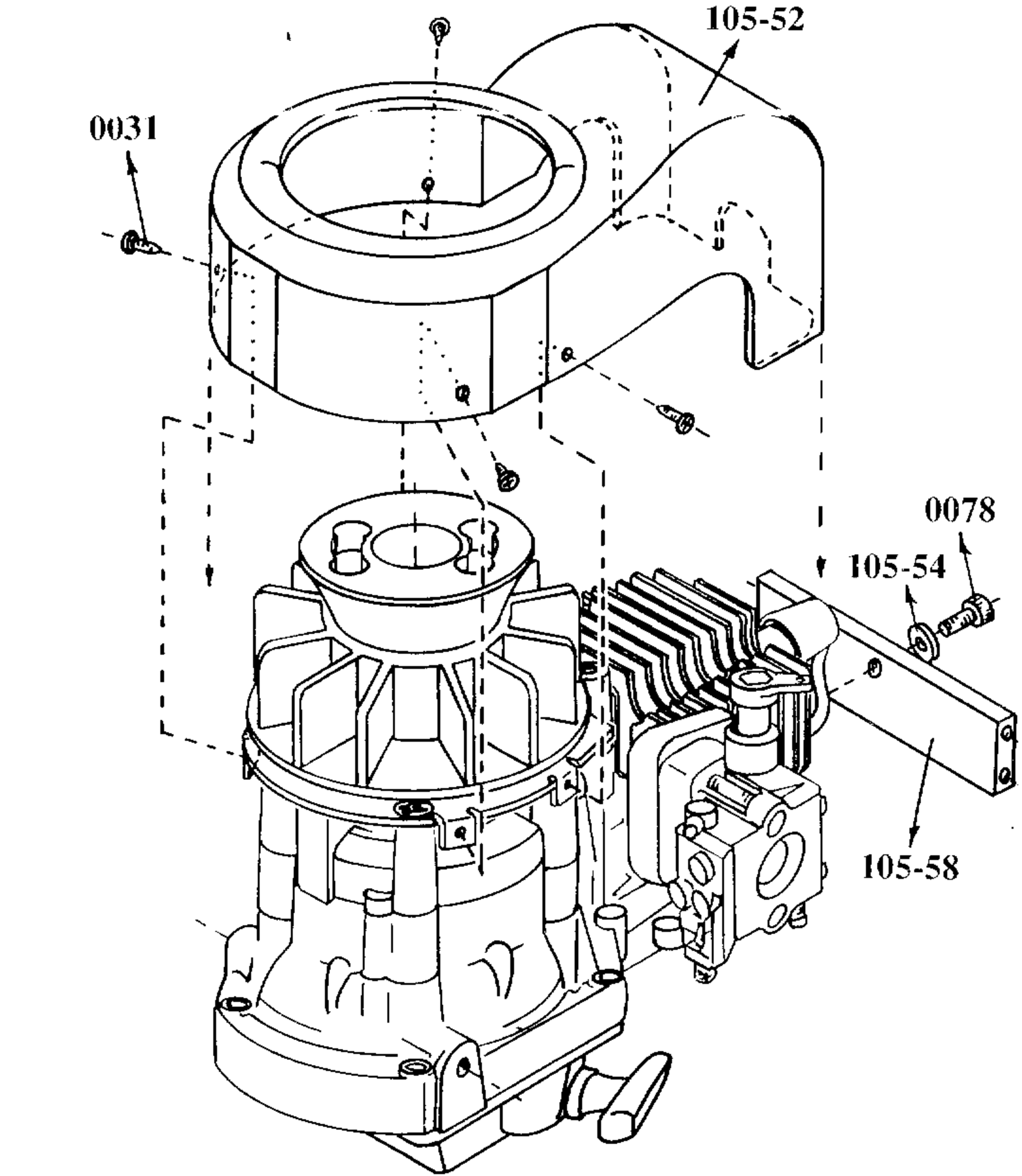


Figure 4-2
X-Cell Gas Graphite
<http://www.rchelibase.com>

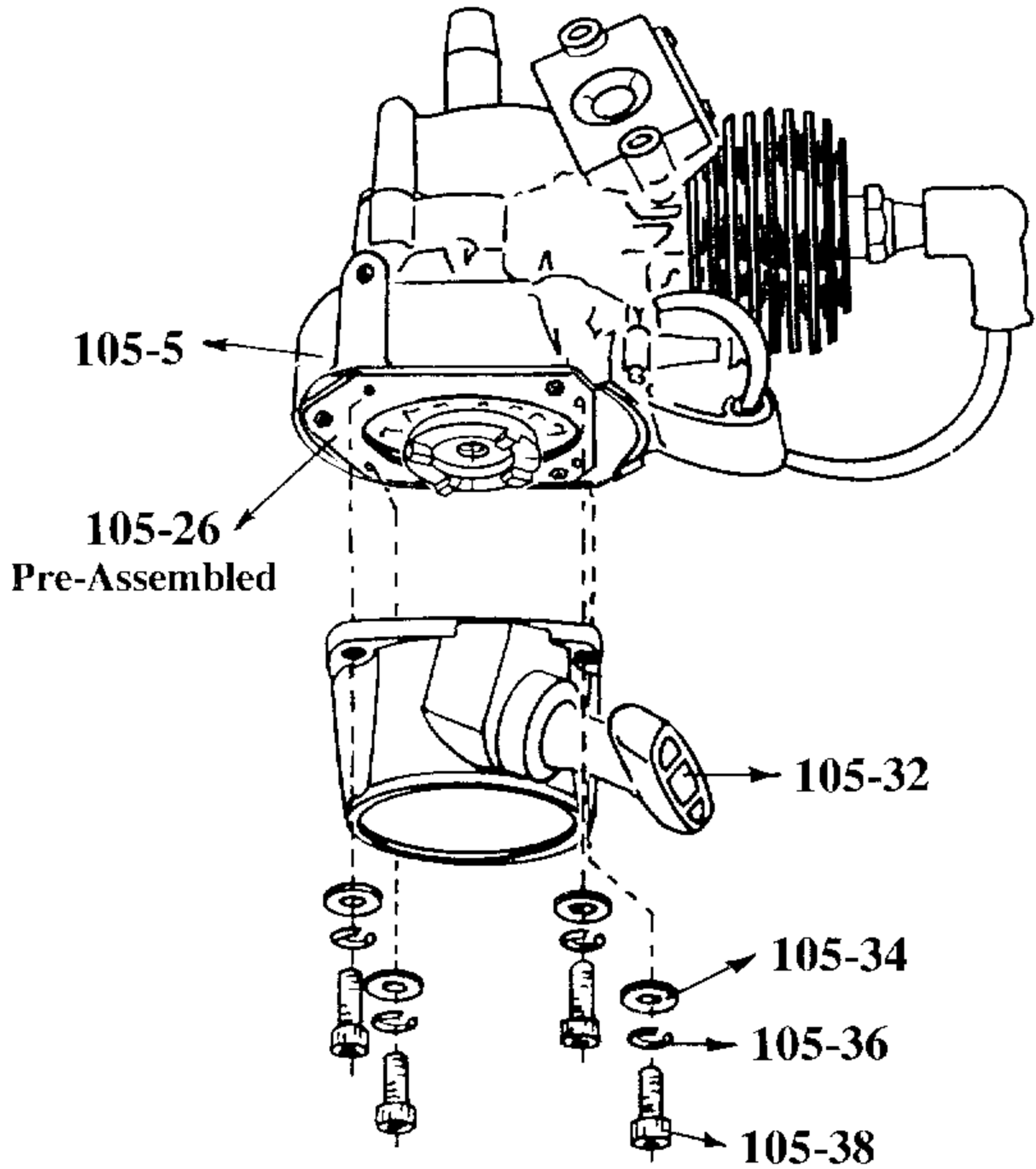


Figure 4-3
 X-Cell Gas Graphite
<http://www.rchelibase.com>

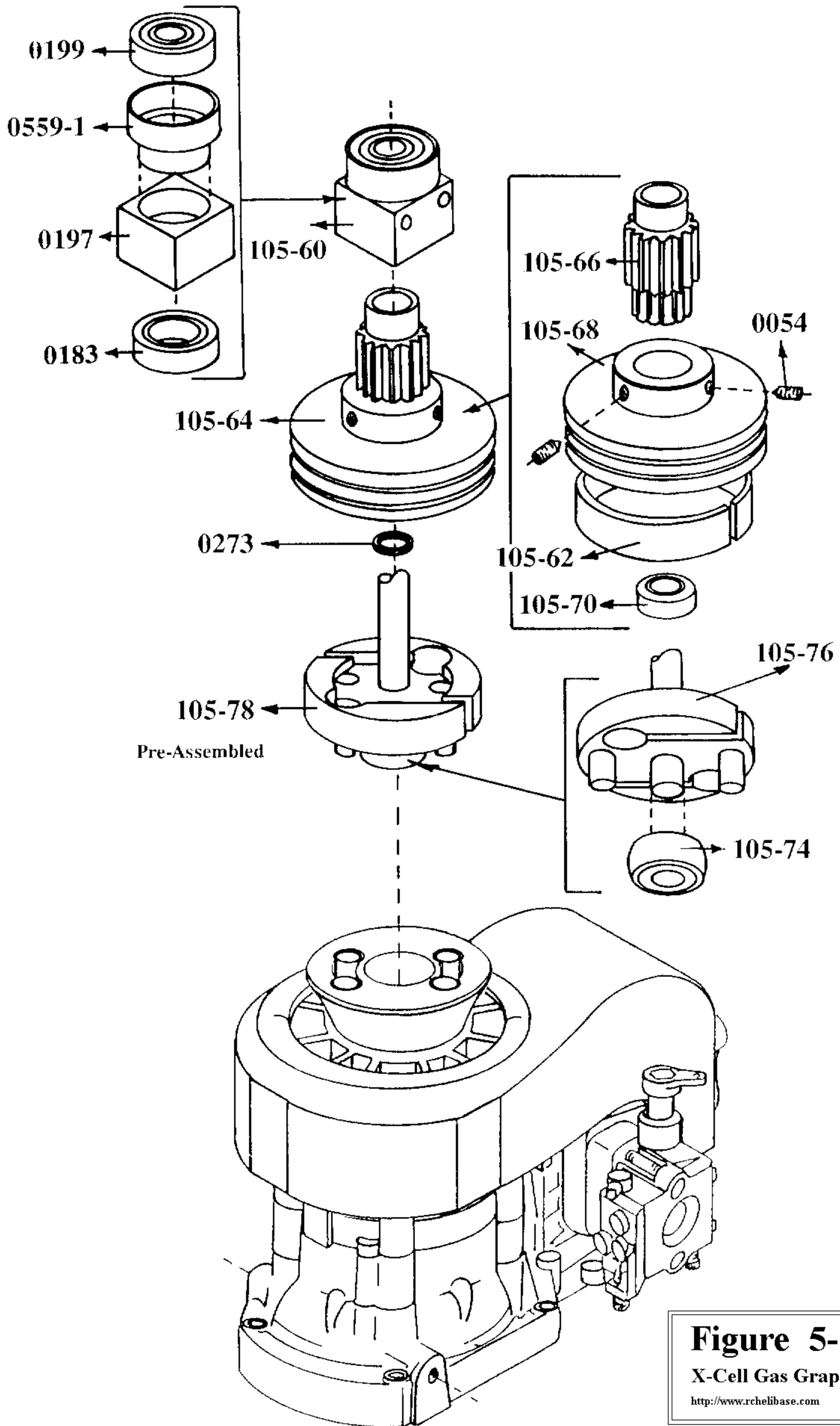


Figure 5-1
 X-Cell Gas Graphite
<http://www.rhelibase.com>

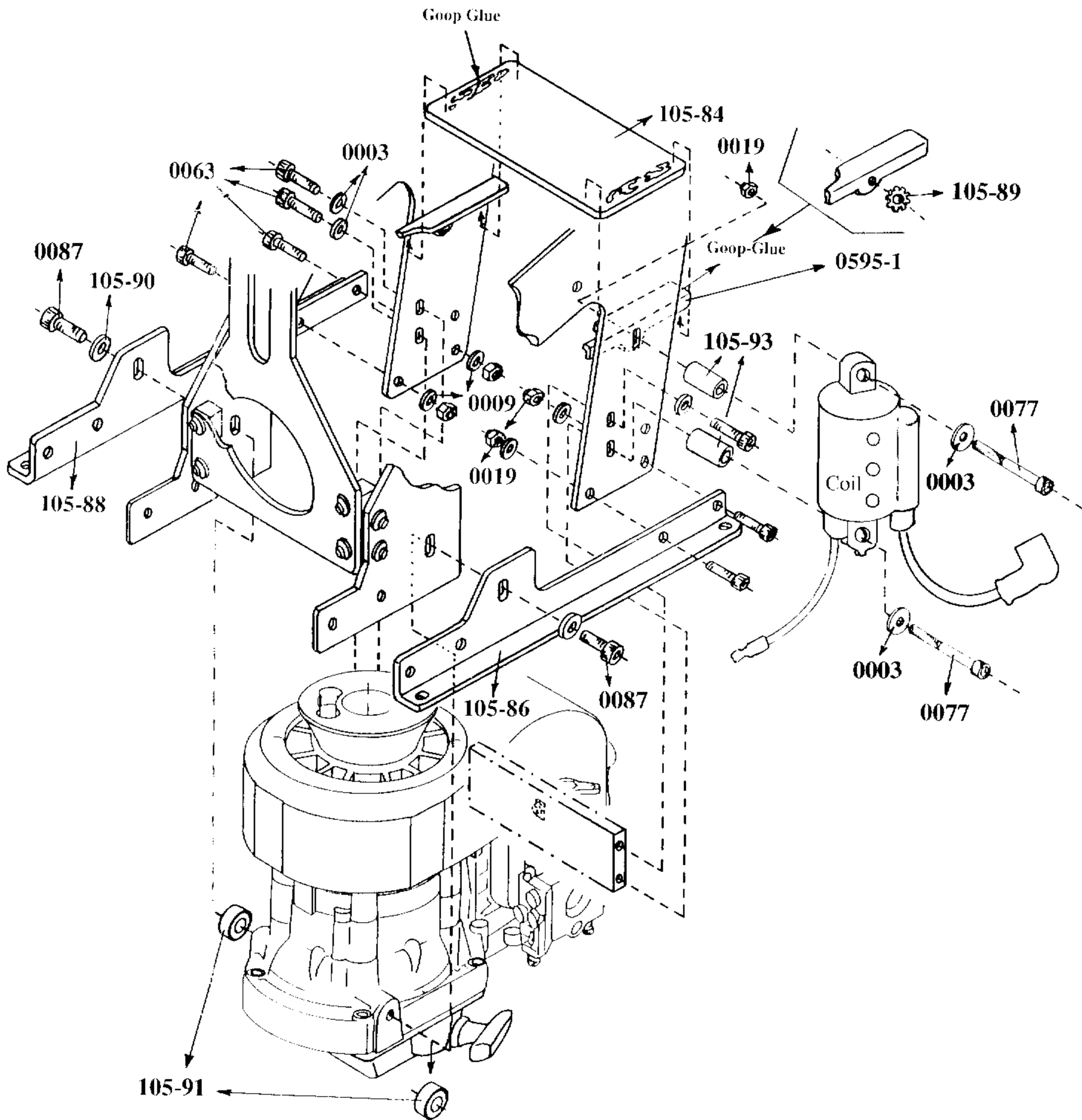


Figure 5-2
 X-Cell Gas Graphite
<http://www.rchelibase.com>

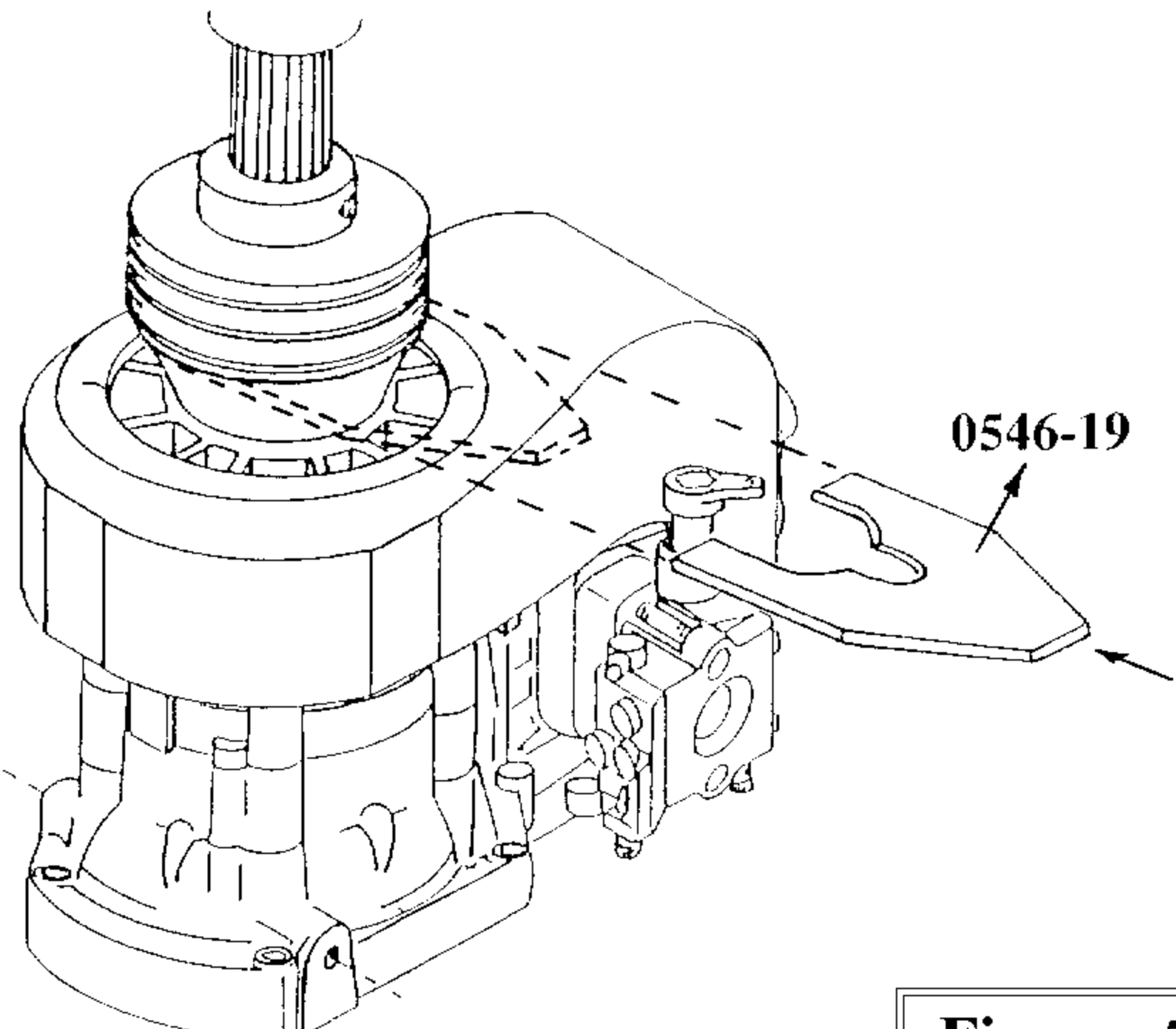
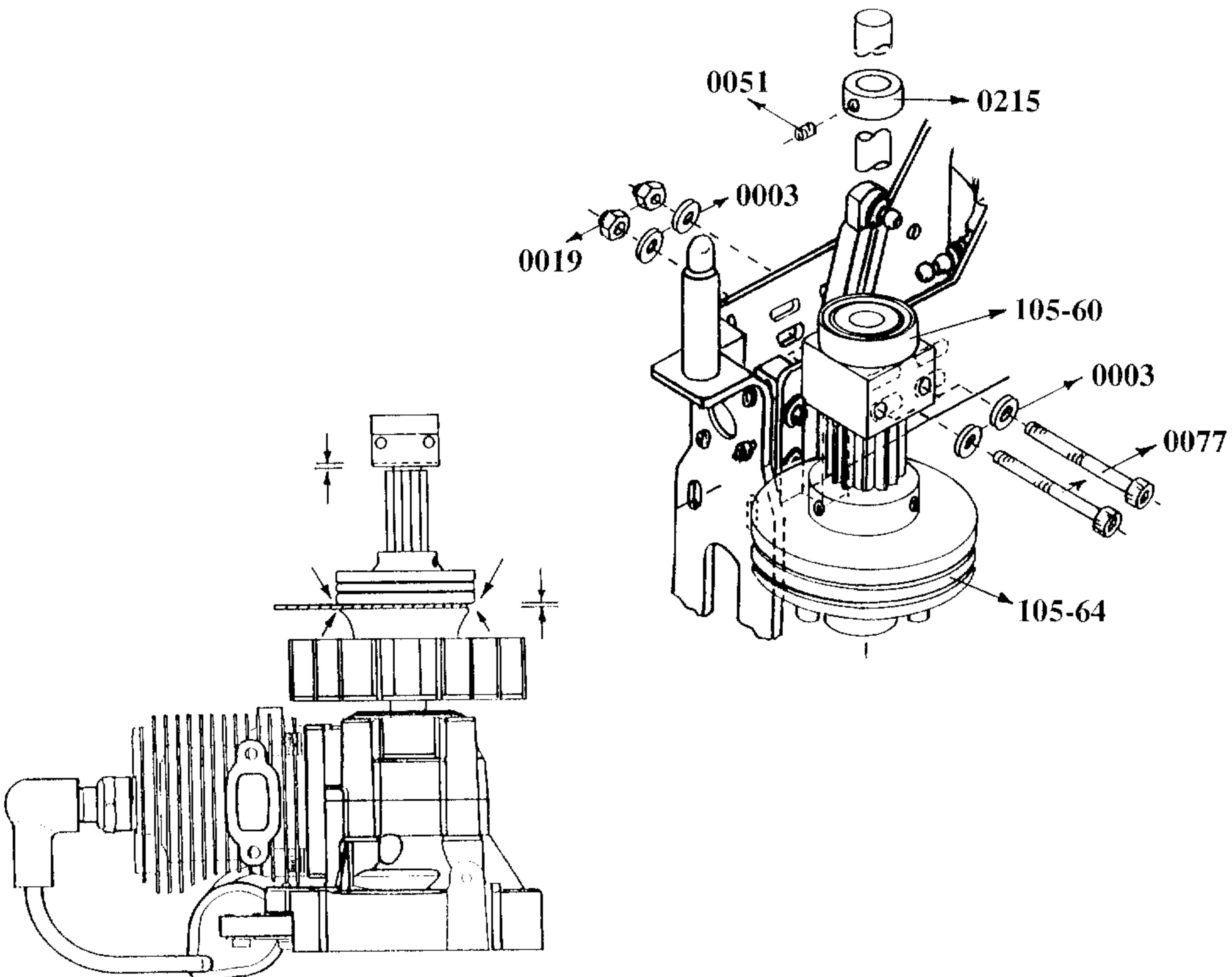


Figure 5-3
 X-Cell Gas Graphite
<http://www.rchelibase.com>

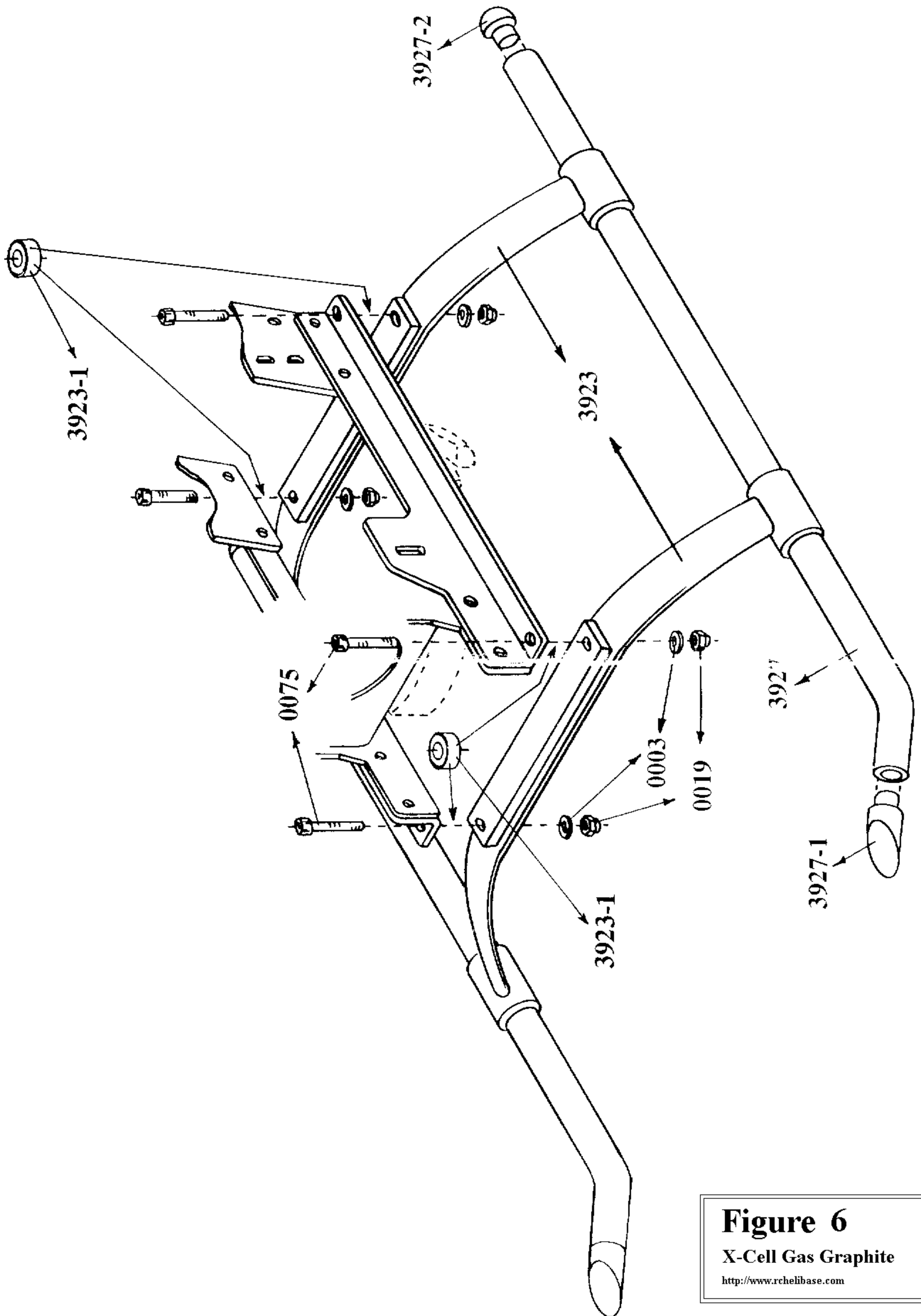


Figure 6
X-Cell Gas Graphite
<http://www.rchelibase.com>

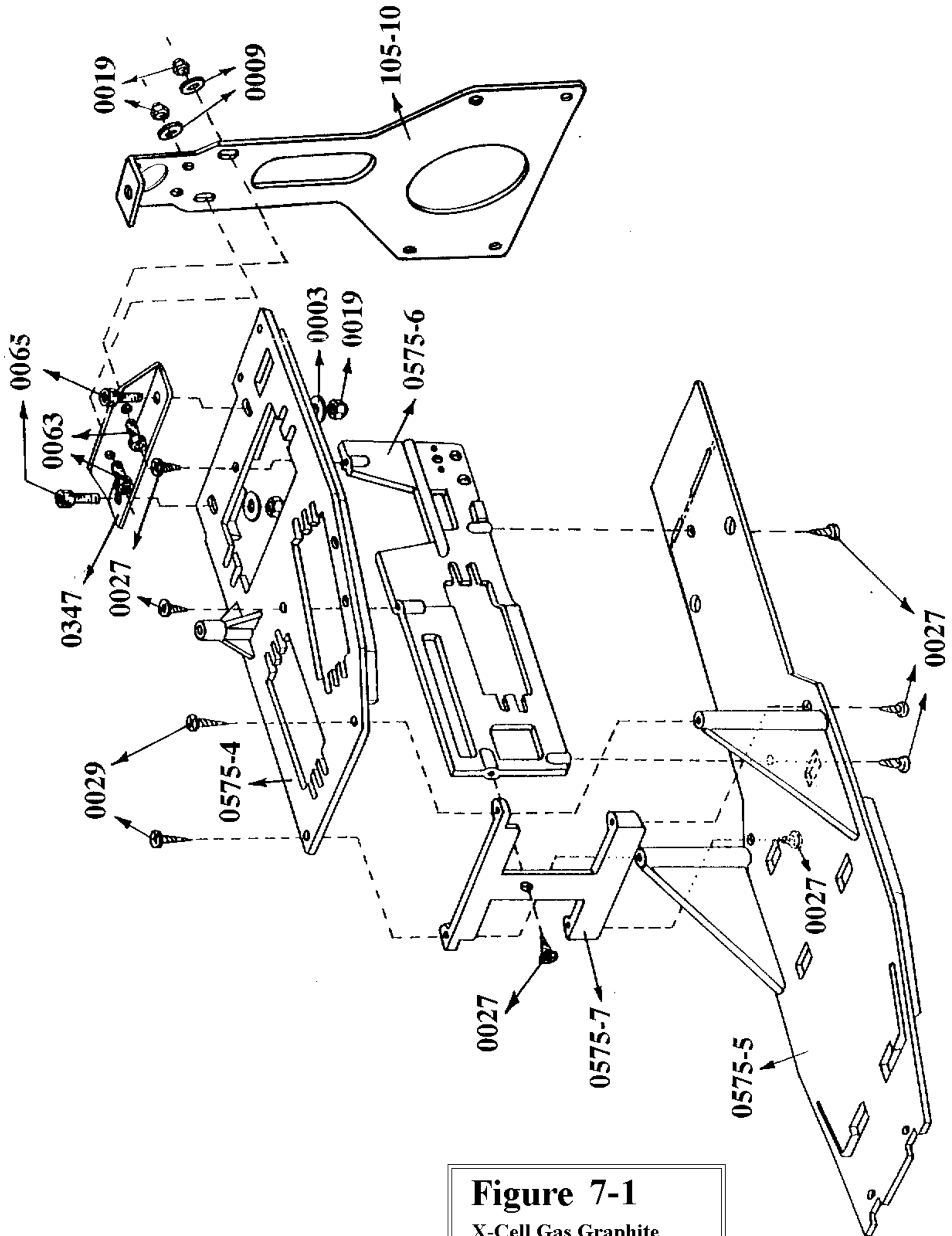


Figure 7-1
X-Cell Gas Graphite
<http://www.rchelibase.com>

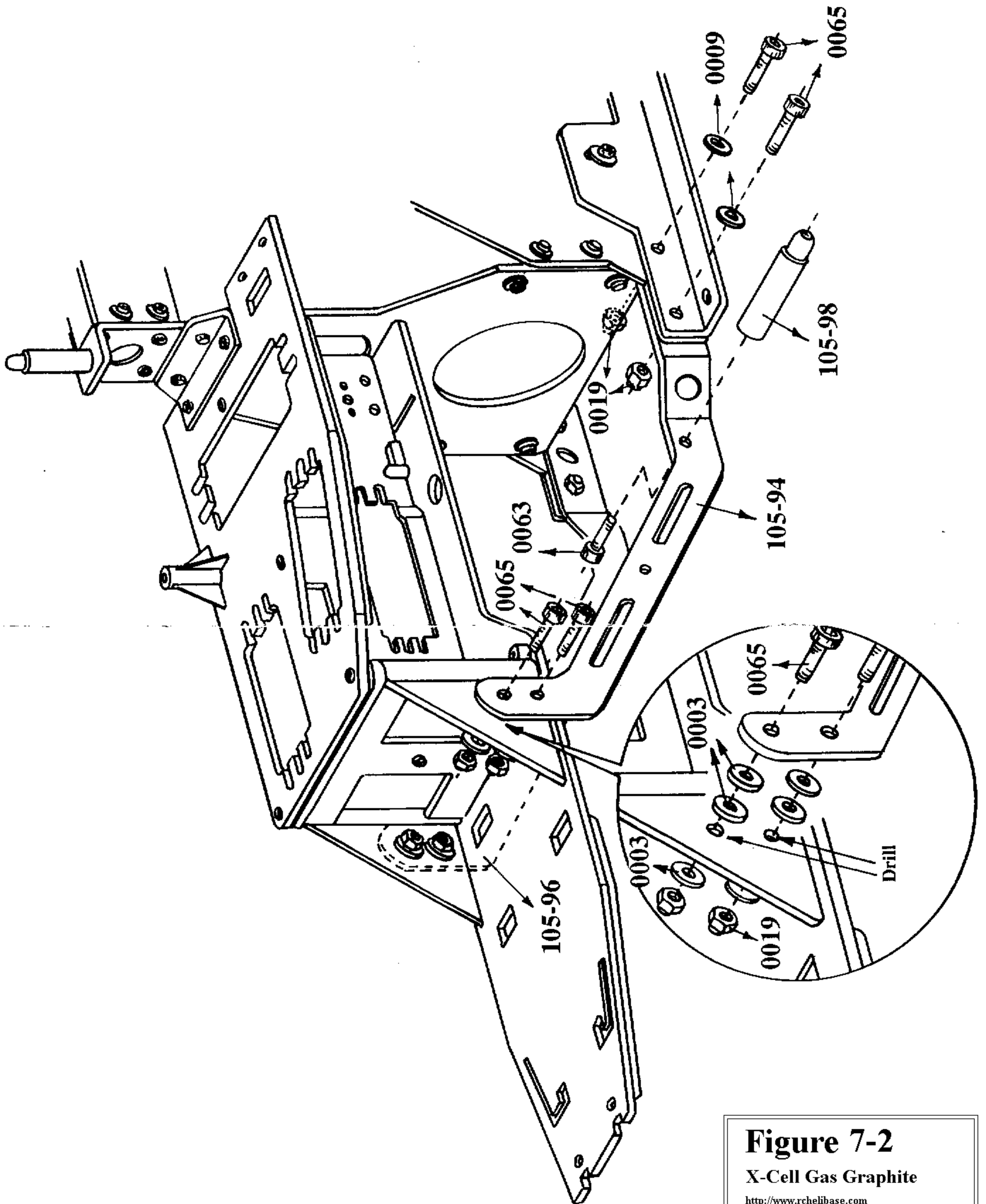
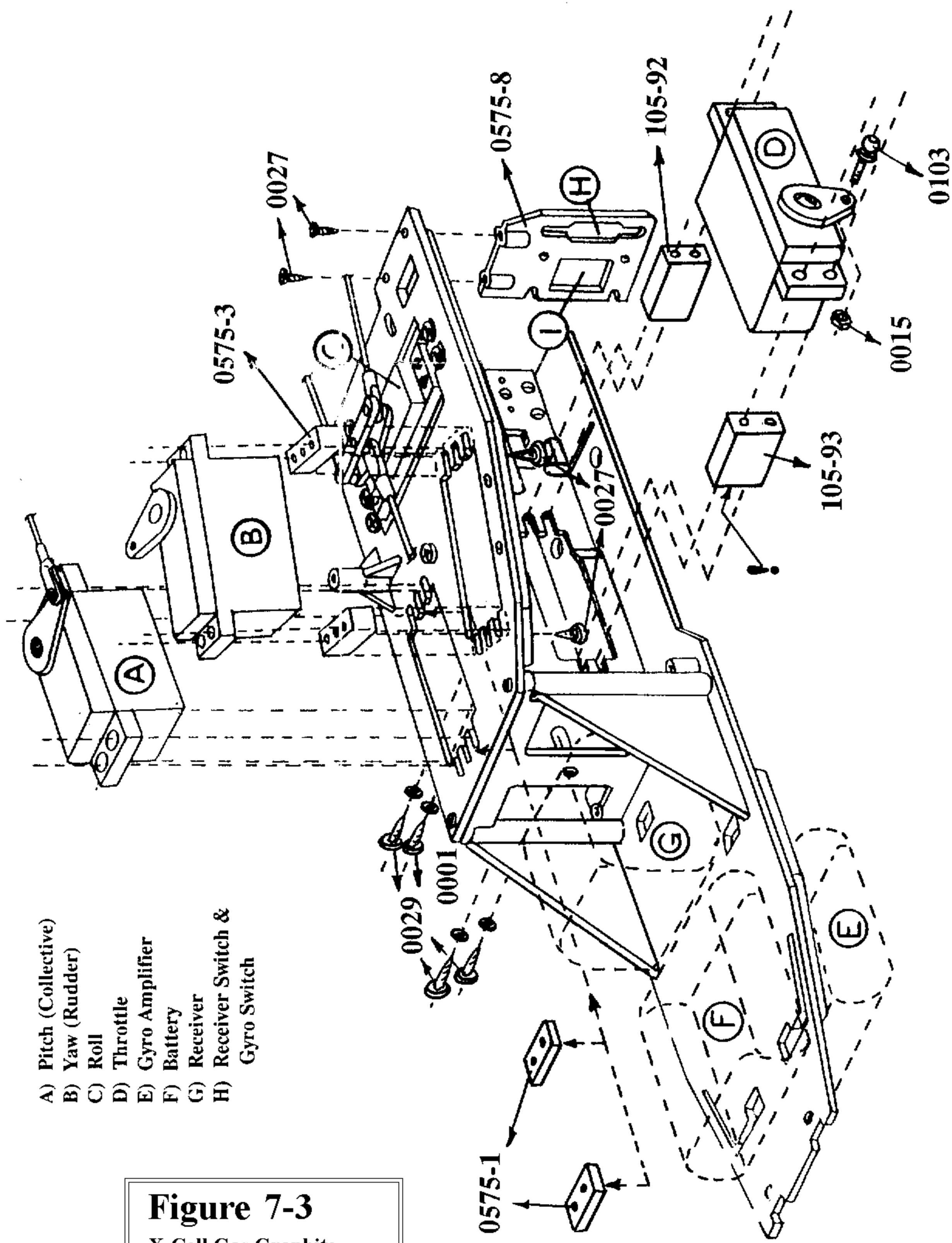


Figure 7-2
X-Cell Gas Graphite
<http://www.rchelibase.com>



- A) Pitch (Collective)
- B) Yaw (Rudder)
- C) Roll
- D) Throttle
- E) Gyro Amplifier
- F) Battery
- G) Receiver Switch &
- H) Gyro Switch

Figure 7-3
 X-Cell Gas Graphite
<http://www.rchelibase.com>

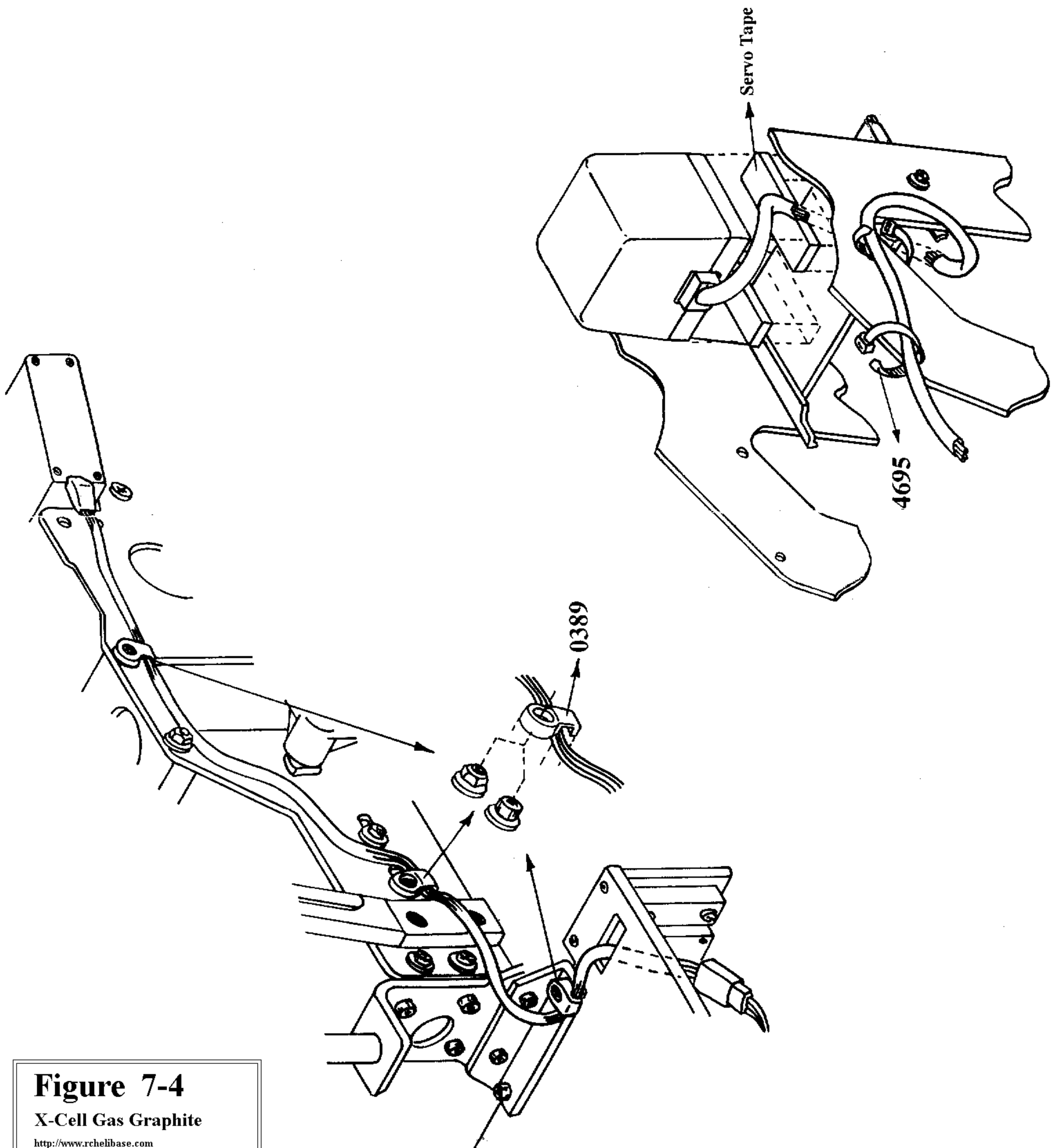
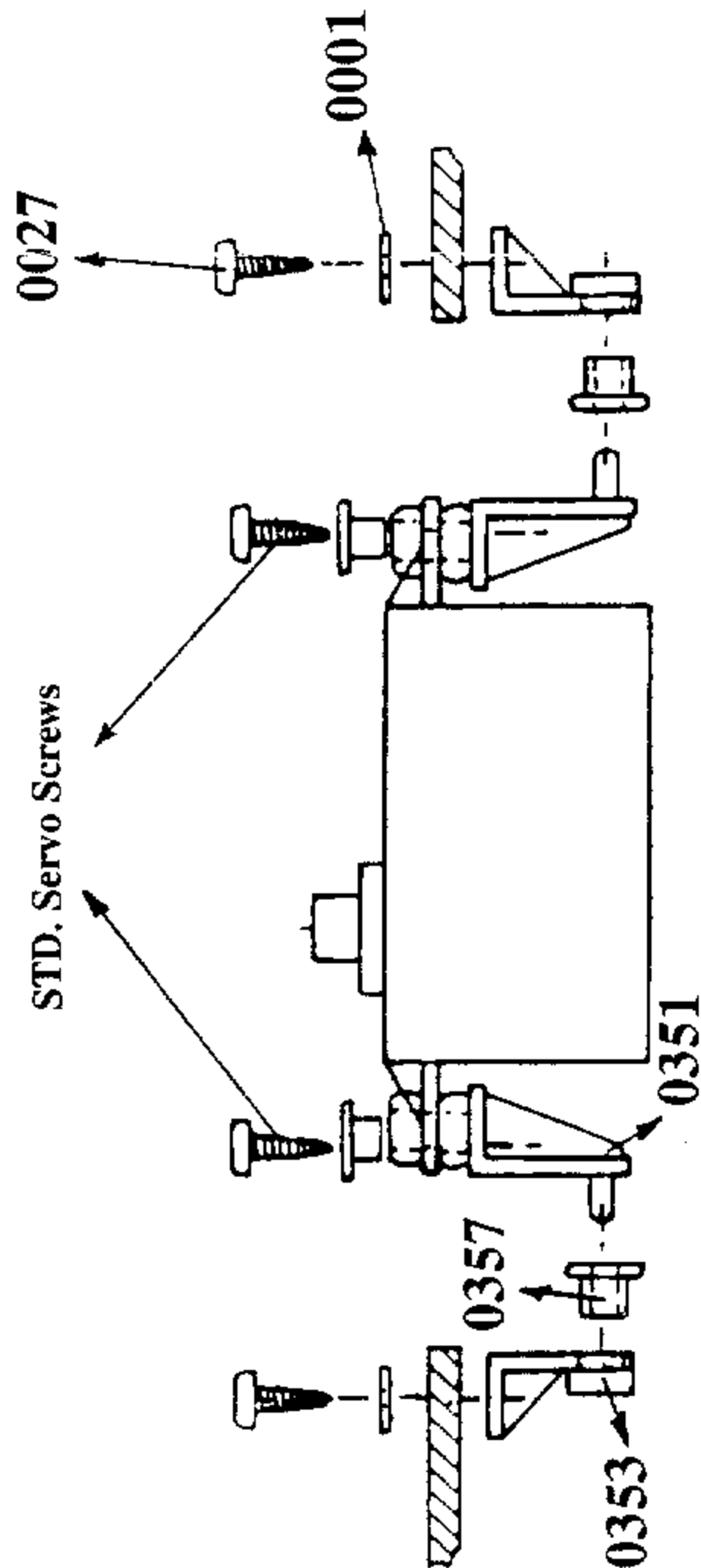
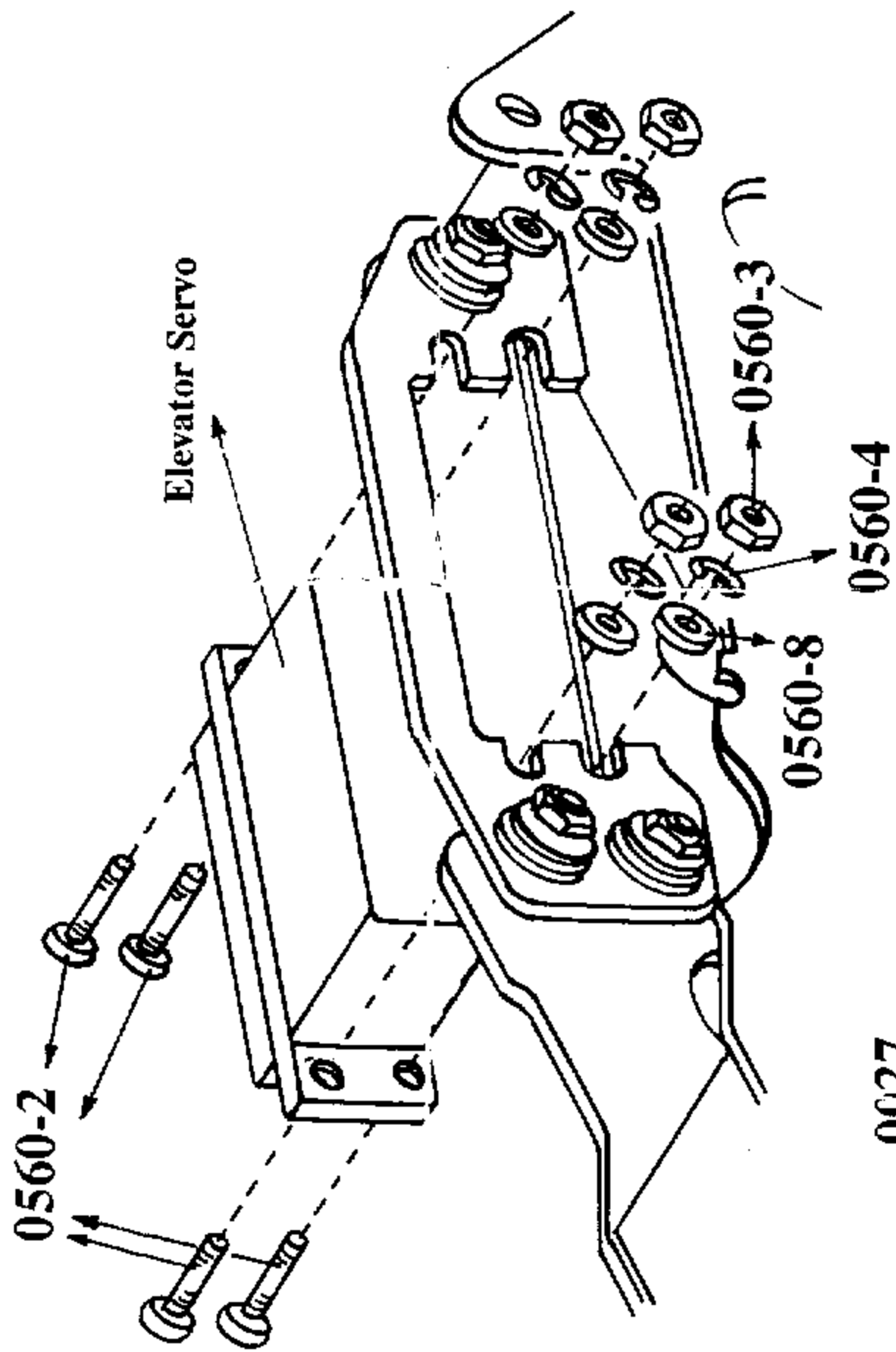


Figure 7-4

X-Cell Gas Graphite

<http://www.rchelibase.com>



Aileron Servo

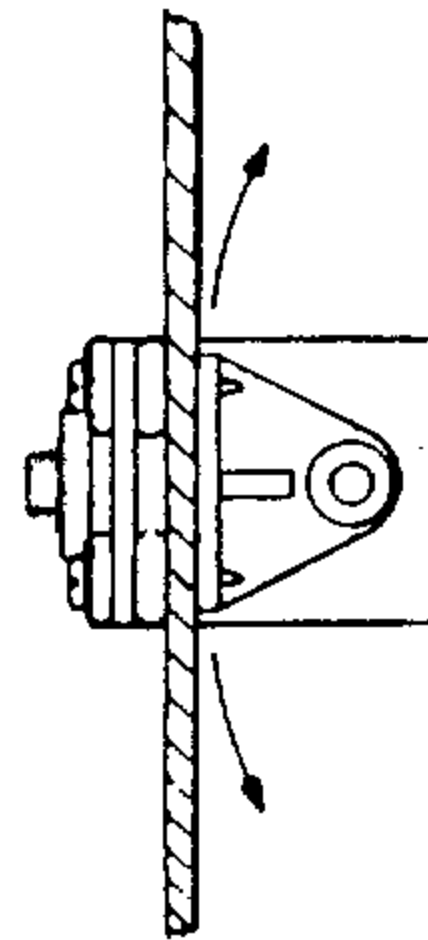


Figure 7-5
X-Cell Gas Graphite

<http://www.rchelibase.com>

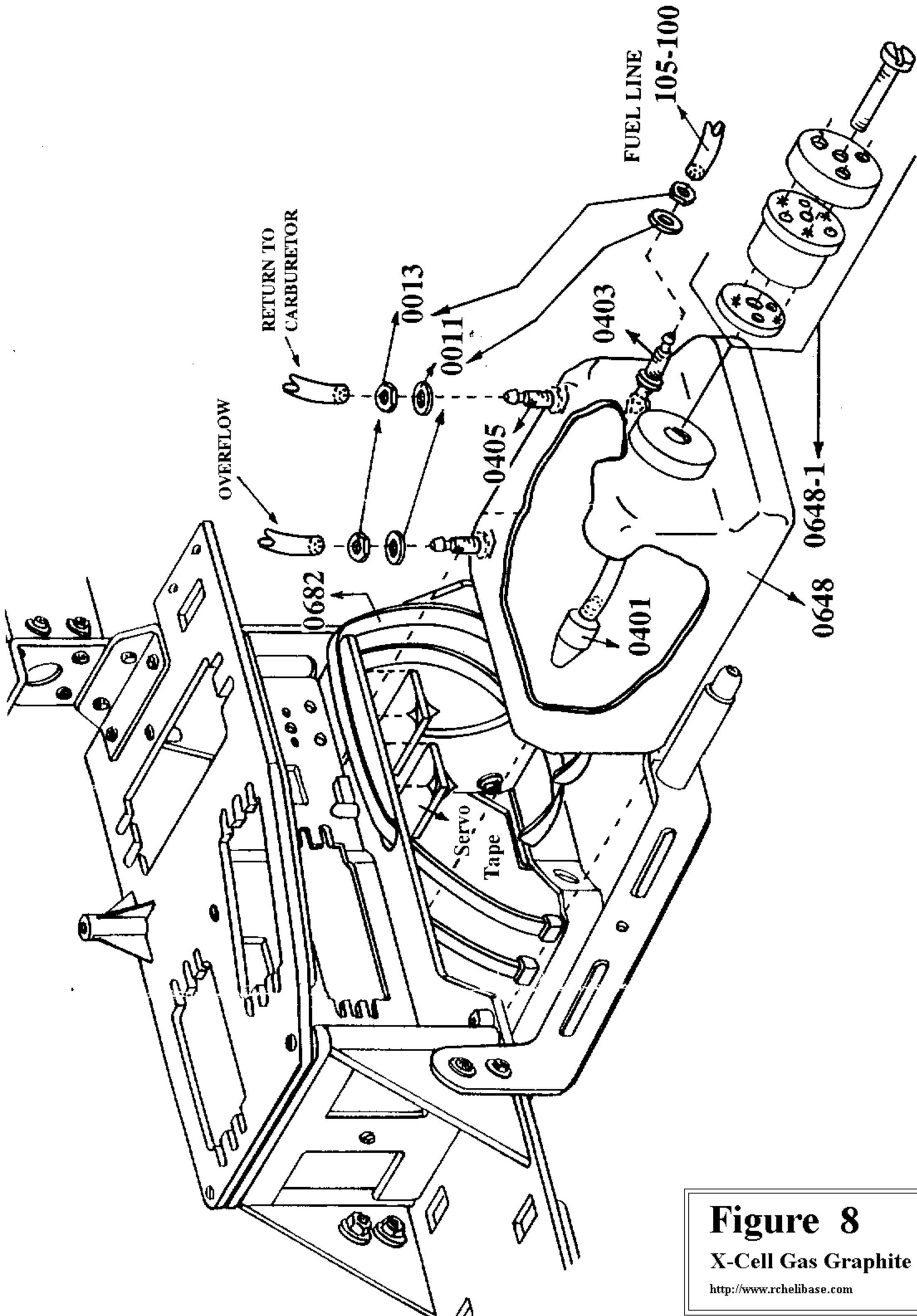


Figure 8
 X-Cell Gas Graphite
<http://www.rchelibase.com>

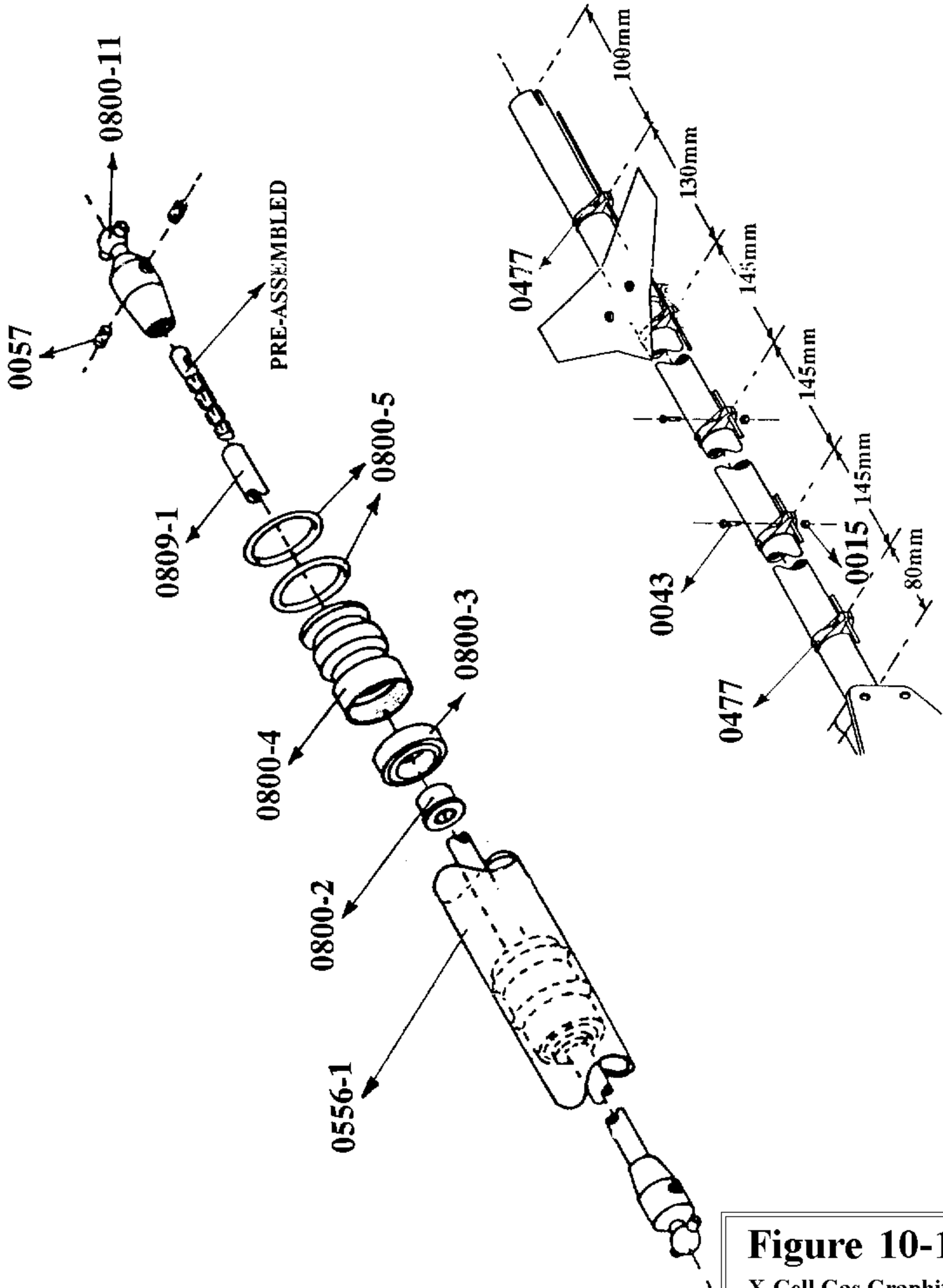


Figure 10-1

X-Cell Gas Graphite

<http://www.rchelibase.com>

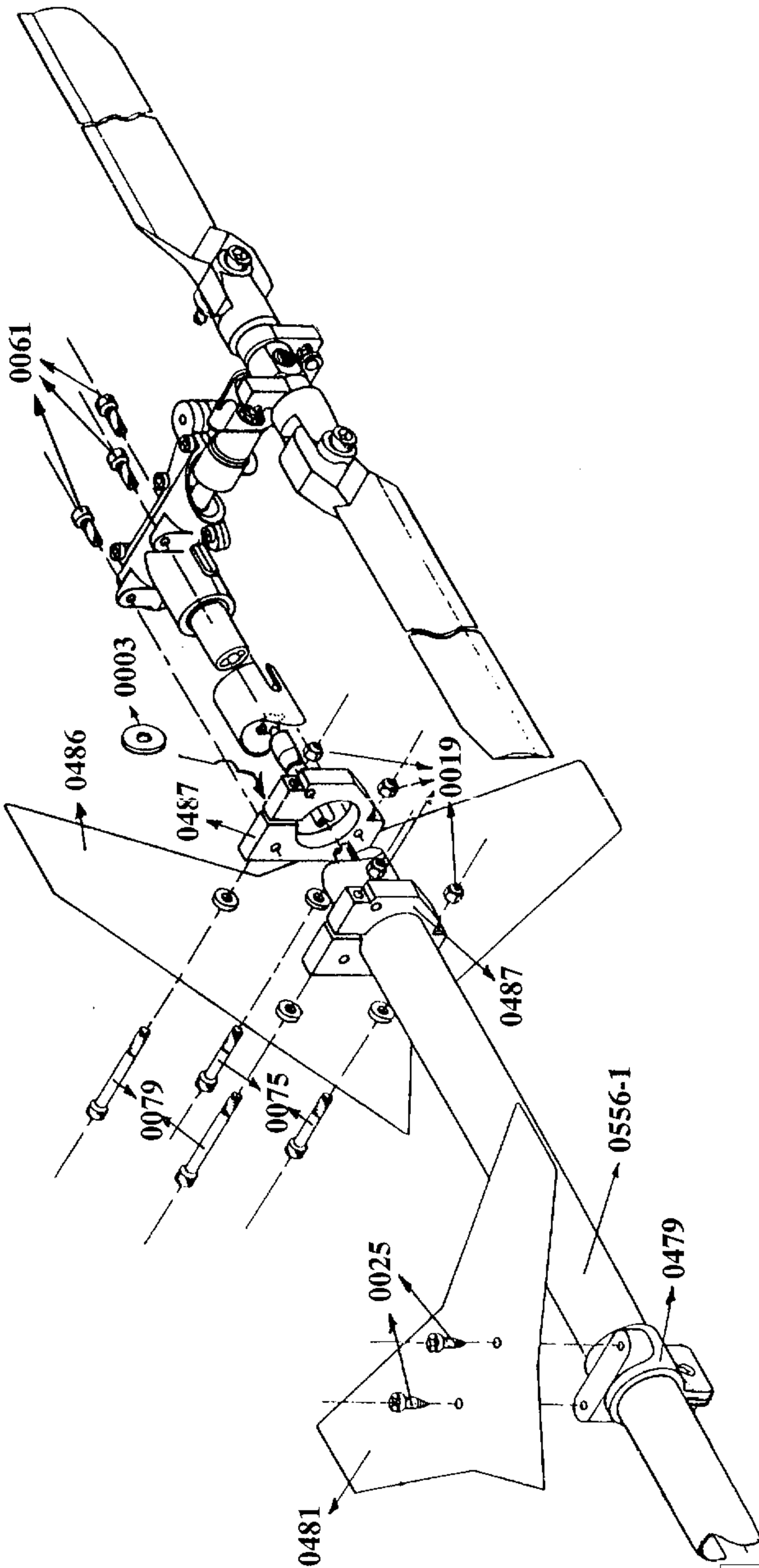


Figure 10-2
X-Cell Gas Graphite
<http://www.rchelibase.com>

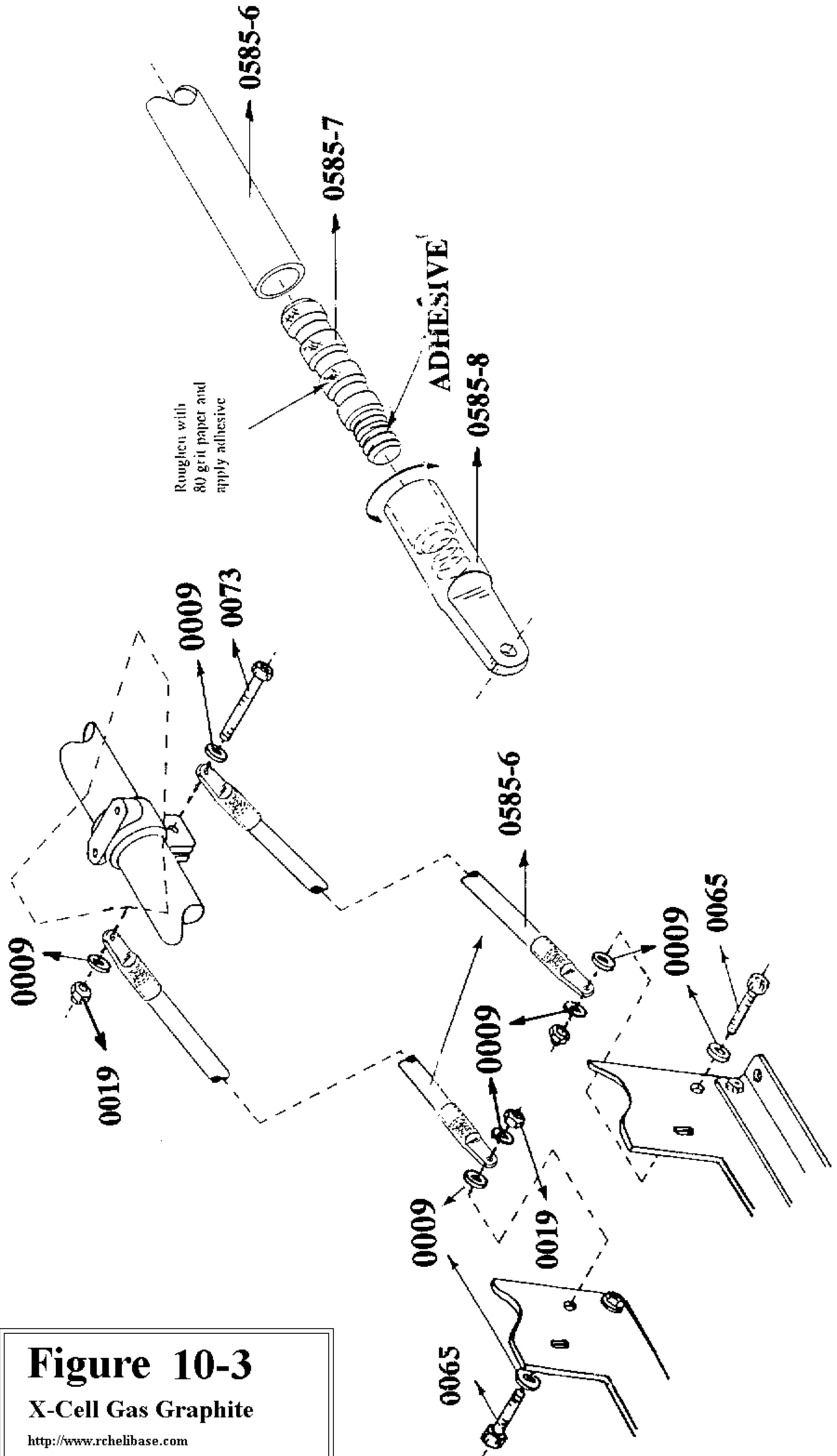
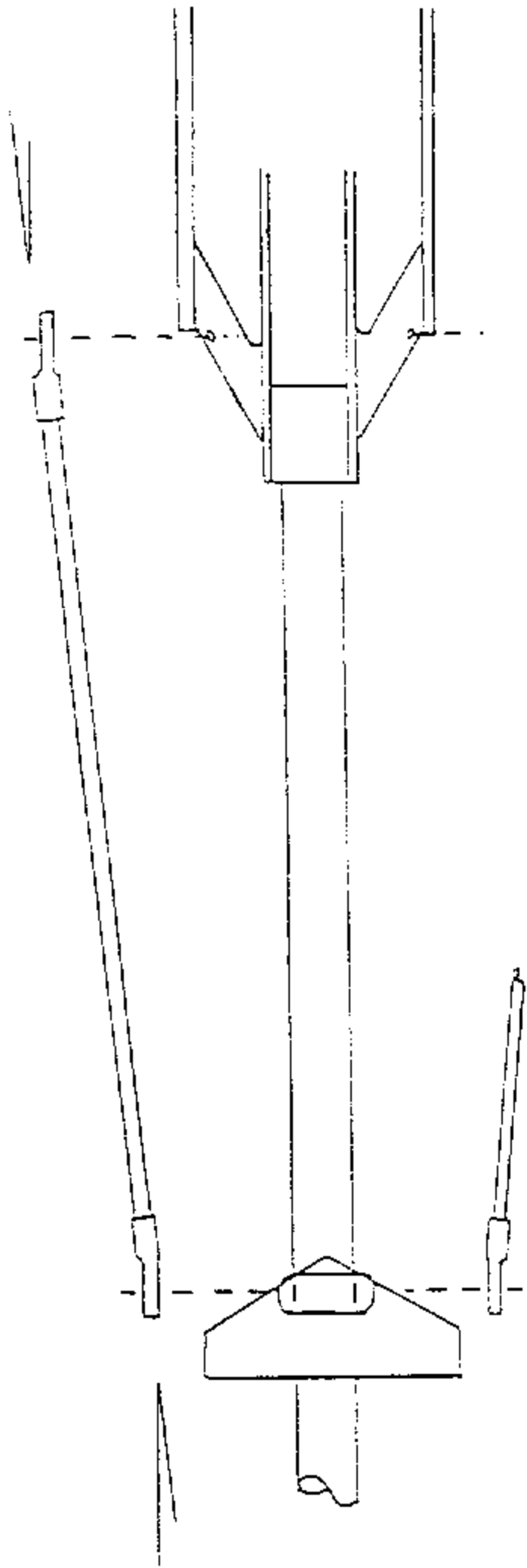
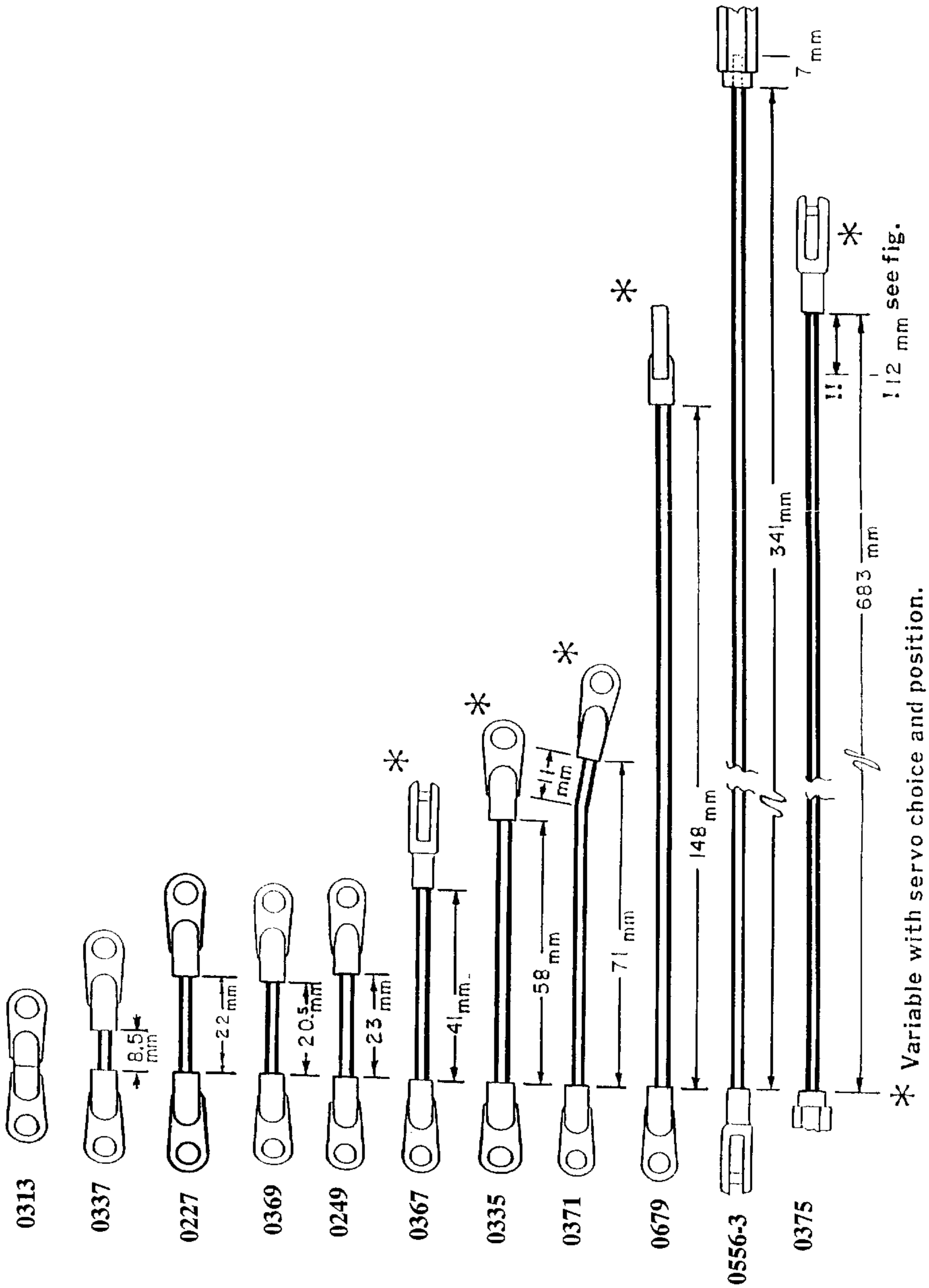


Figure 10-3
 X-Cell Gas Graphite
<http://www.rchelibase.com>



* Variable with servo choice and position.

Figure 11-1
 X-Cell Gas Graphite
<http://www.rchelibase.com>

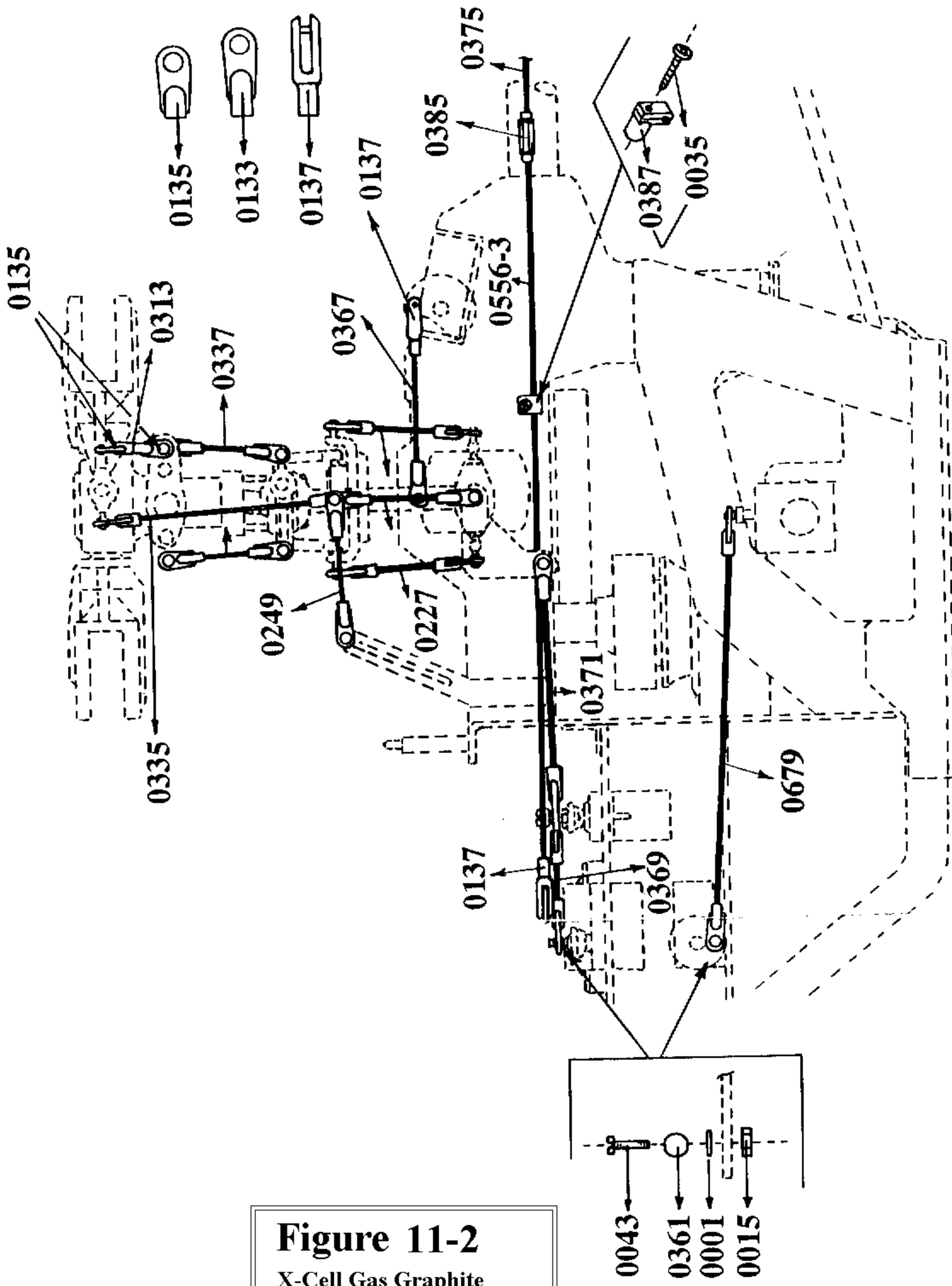


Figure 11-2
 X-Cell Gas Graphite
<http://www.rchelibase.com>

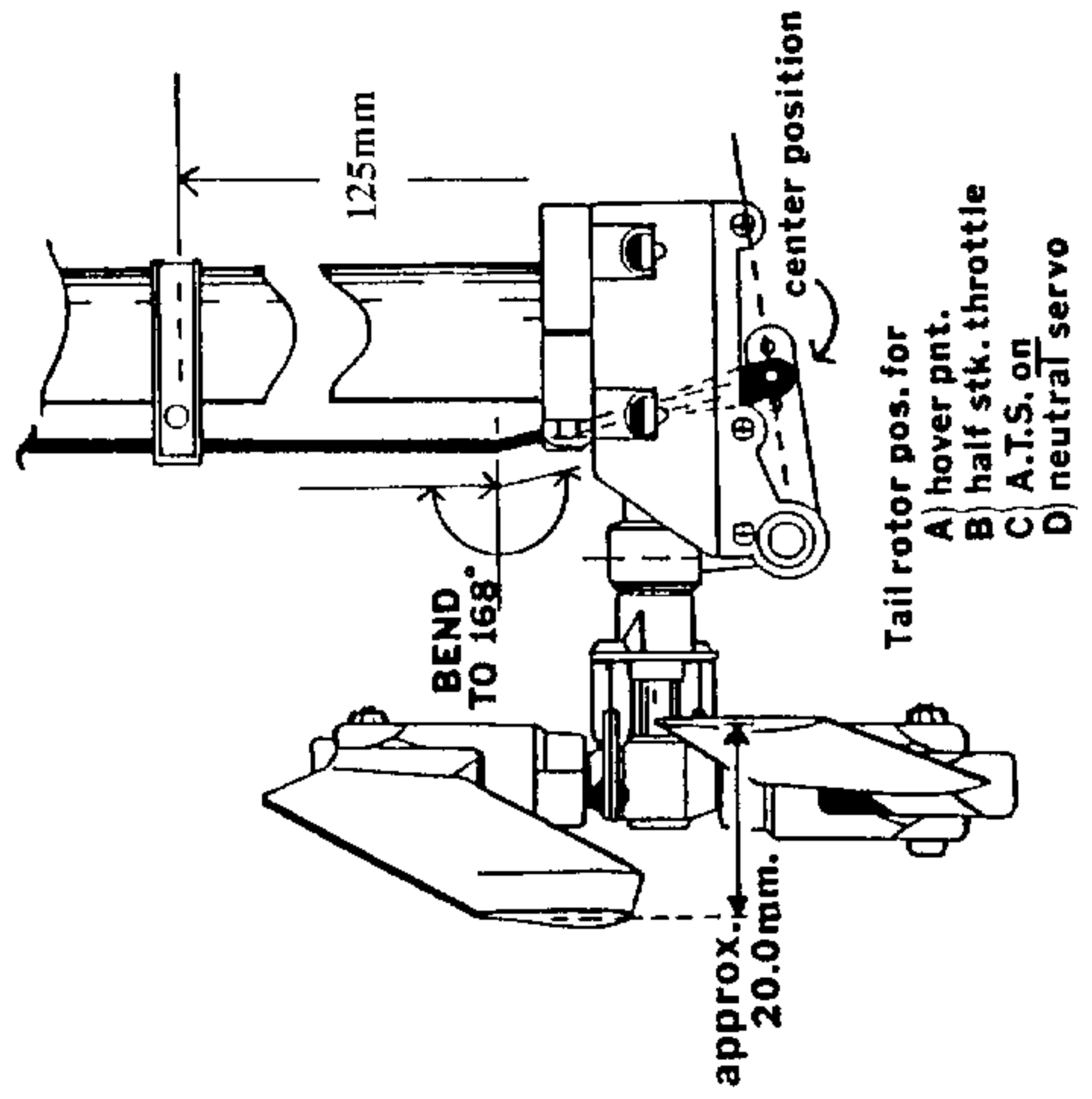
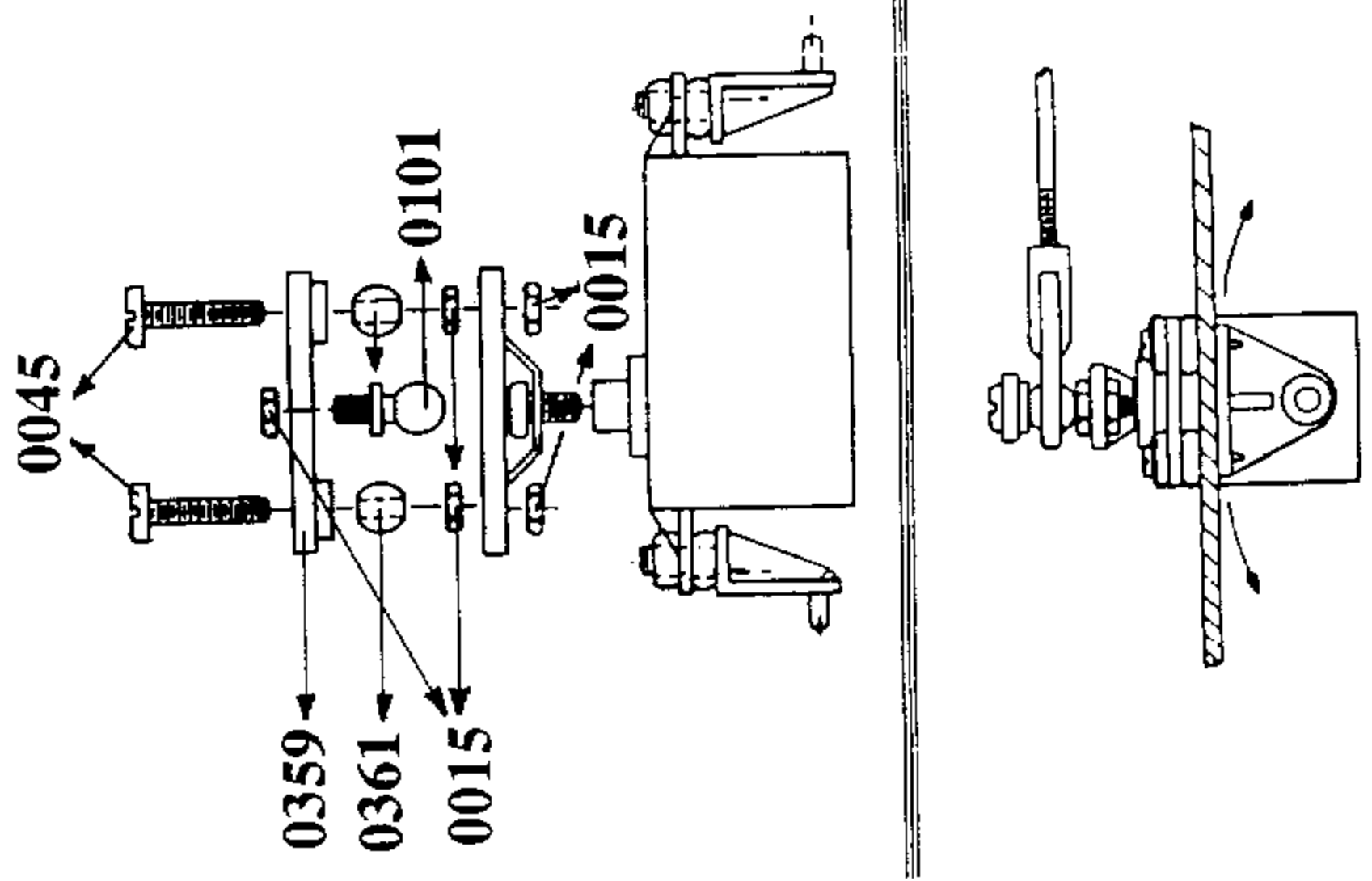
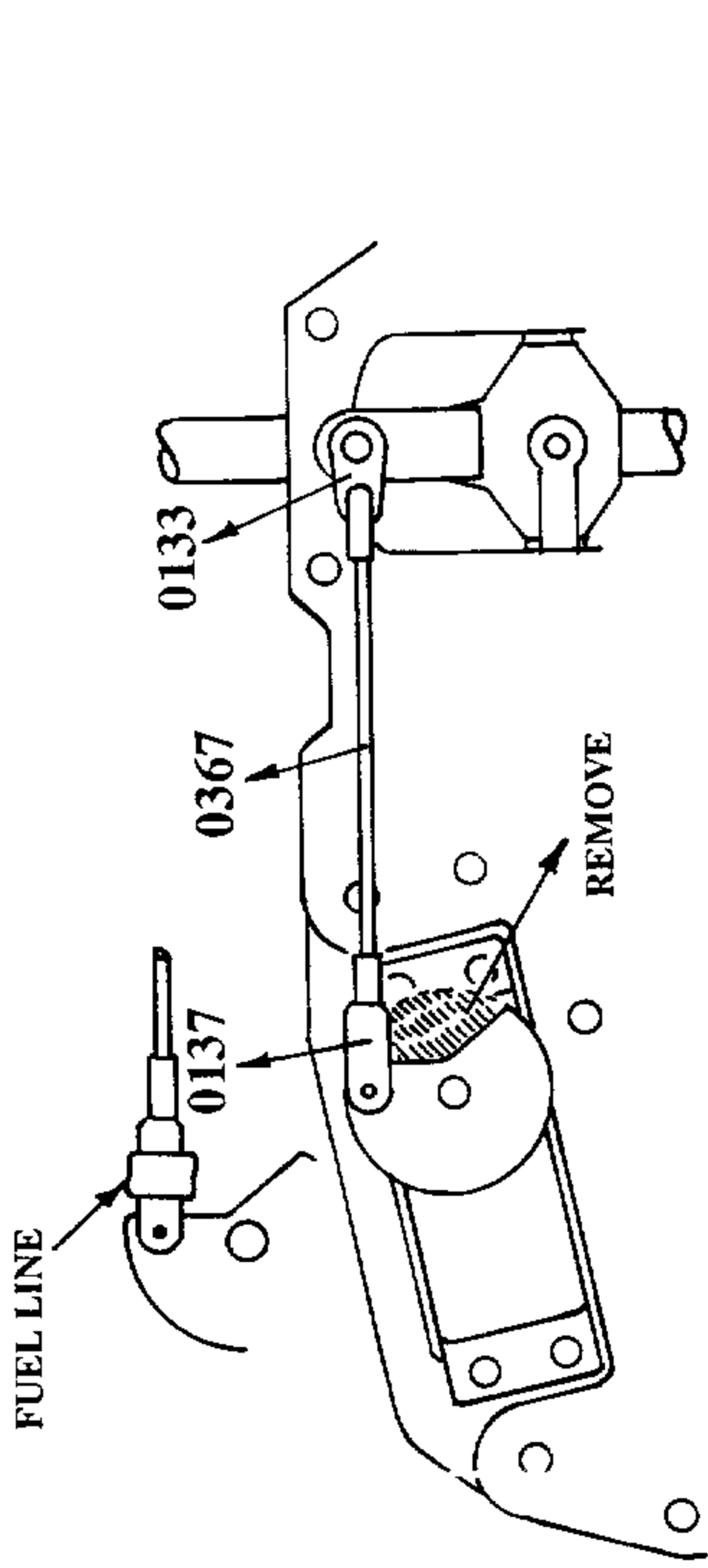


Figure 11-3
 X-Cell Gas Graphite
<http://www.rchelibase.com>

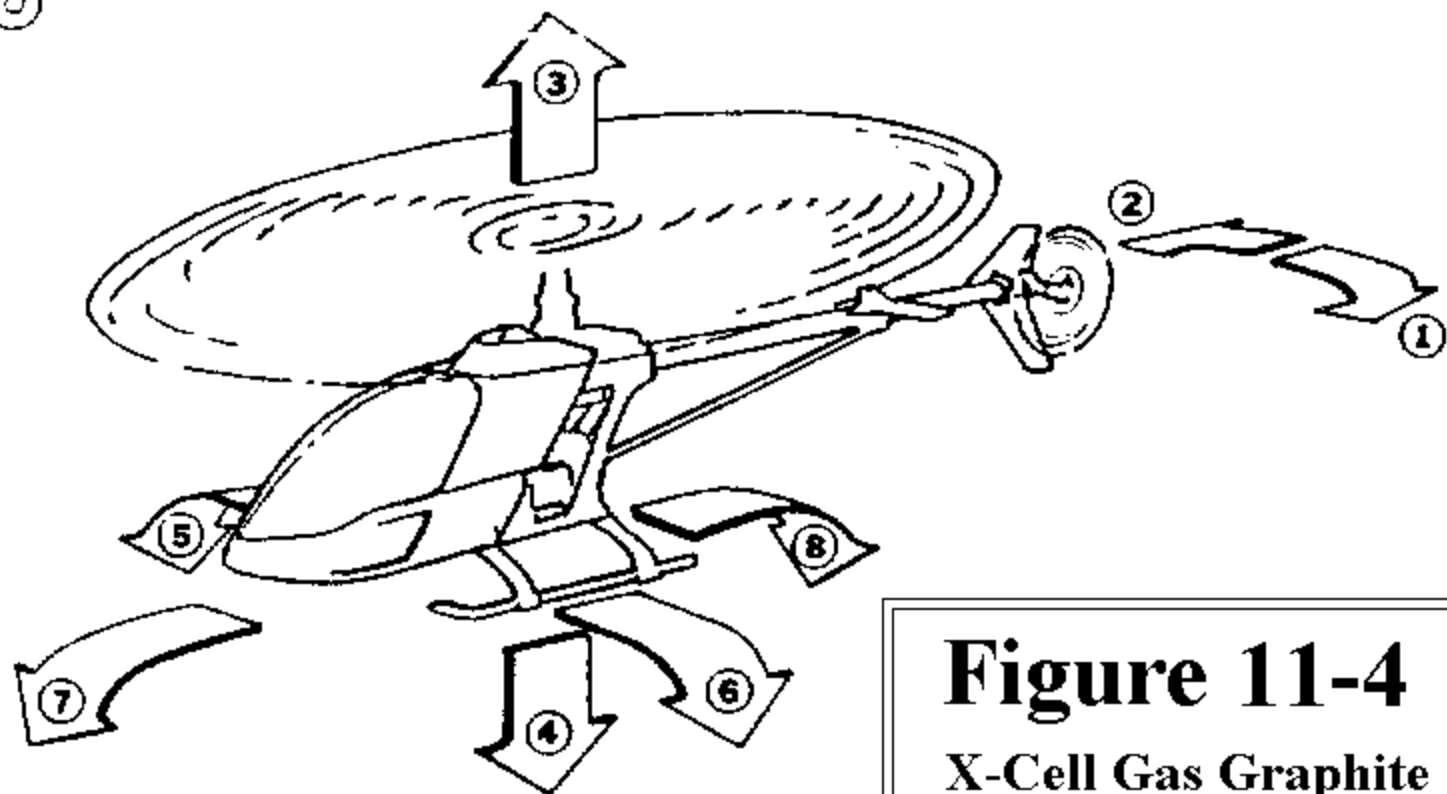
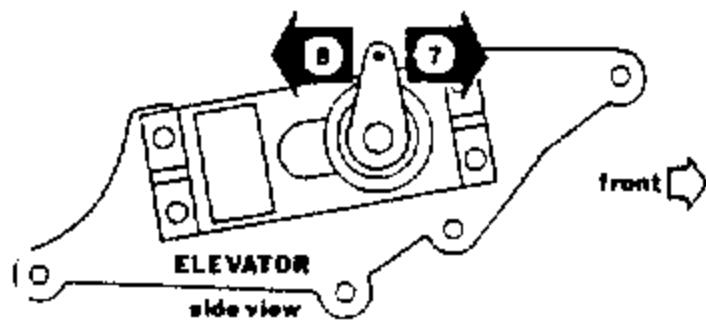
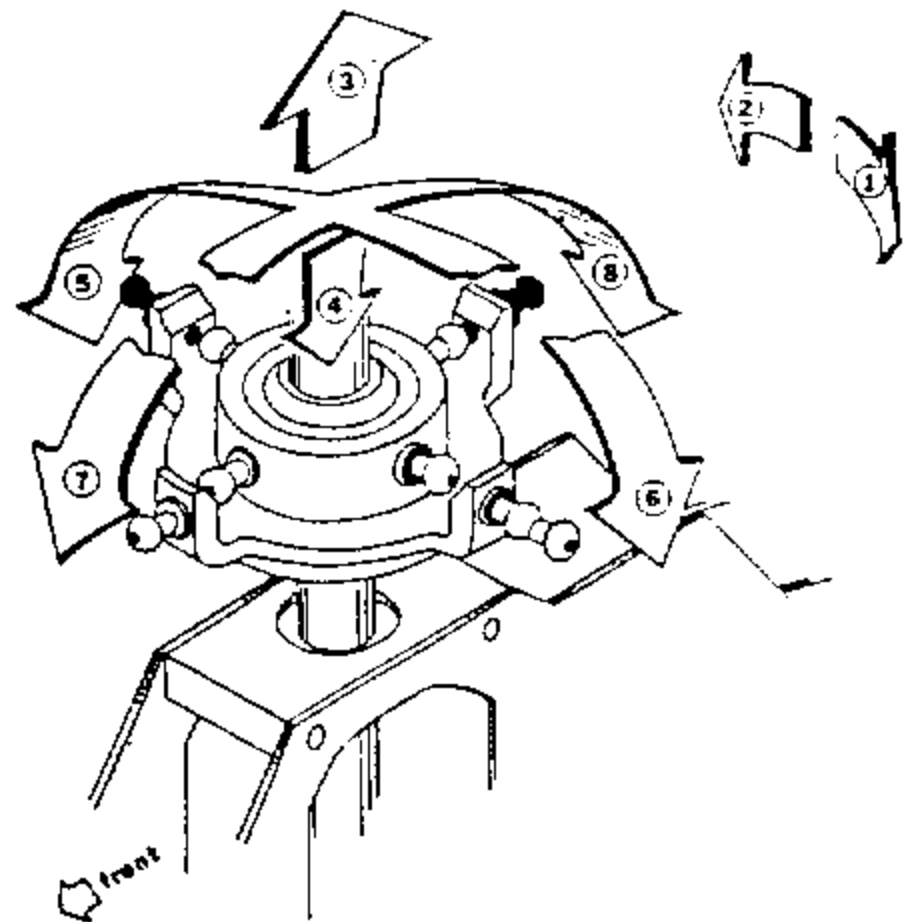
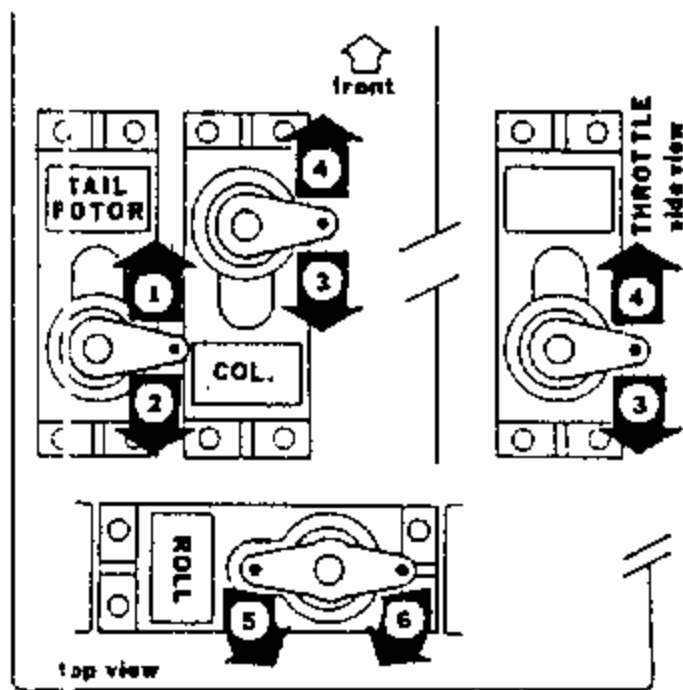
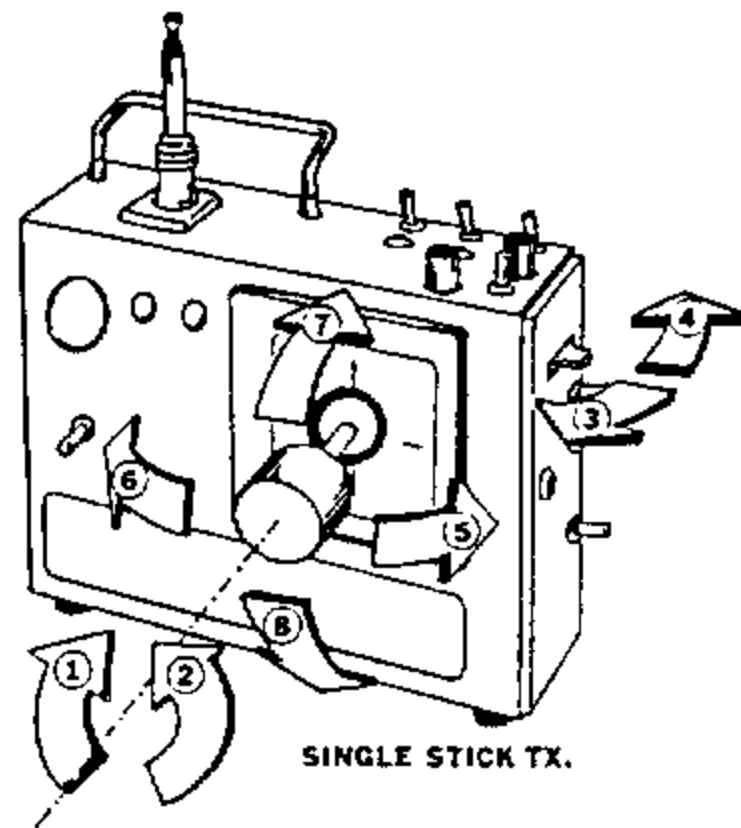
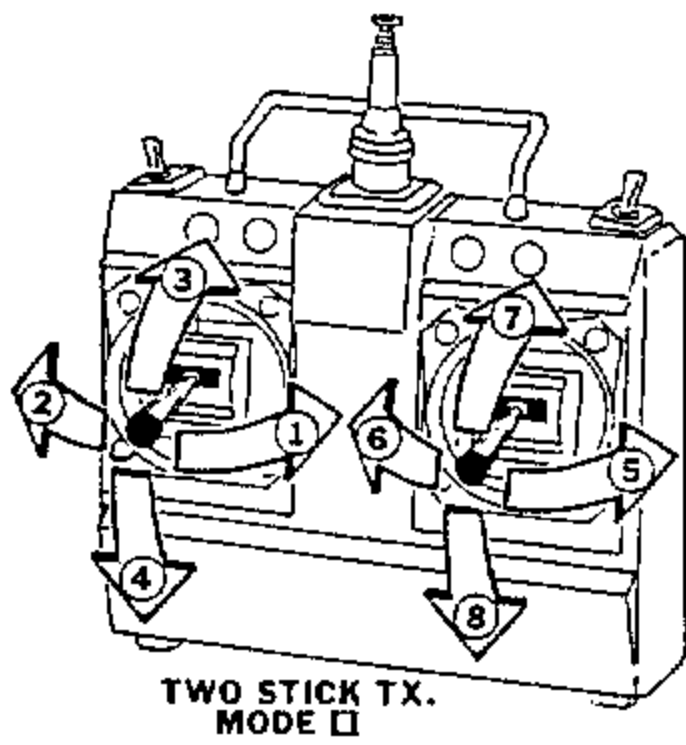


Figure 11-4

X-Cell Gas Graphite

<http://www.rcelibase.com>

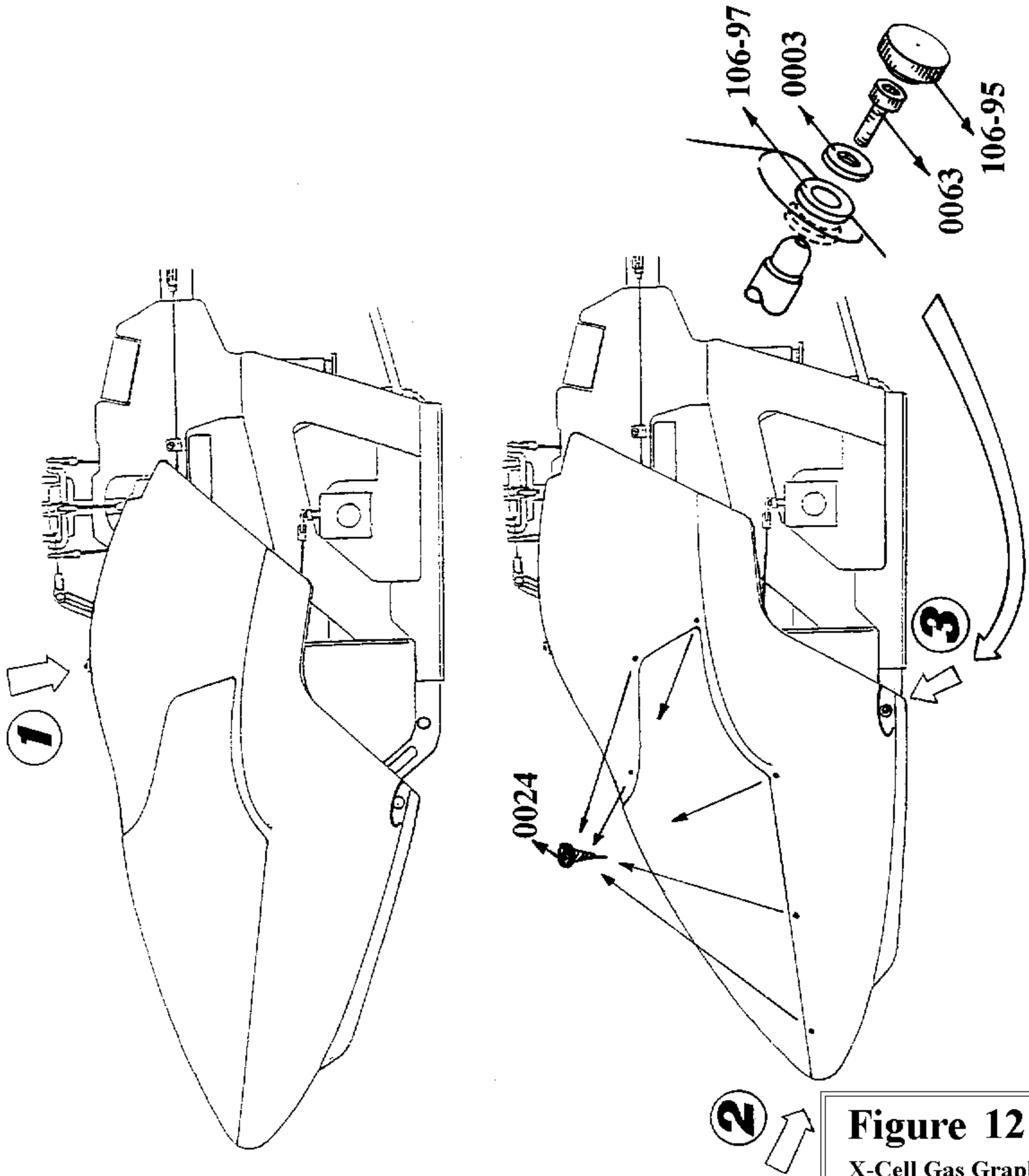


Figure 12
X-Cell Gas Graphite
<http://www.rchelibase.com>

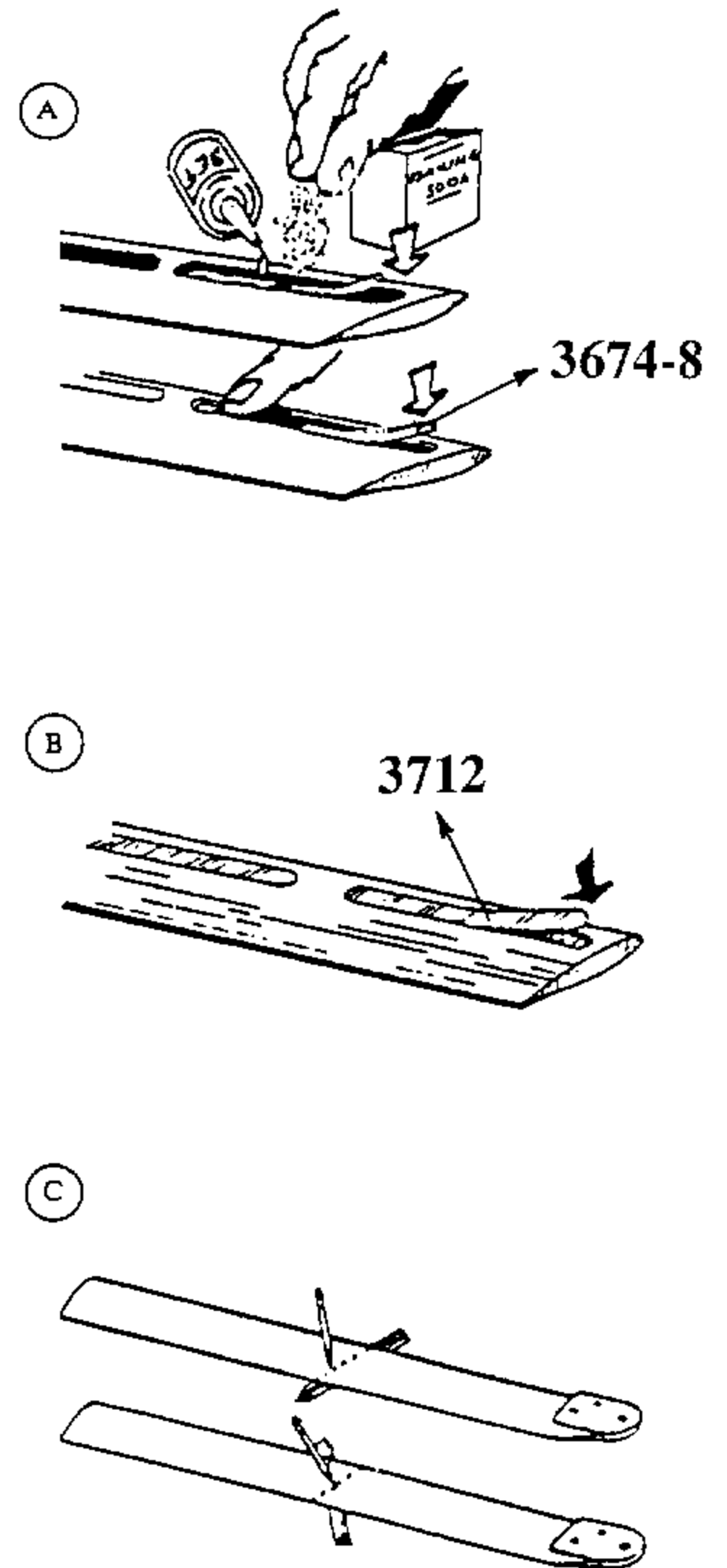
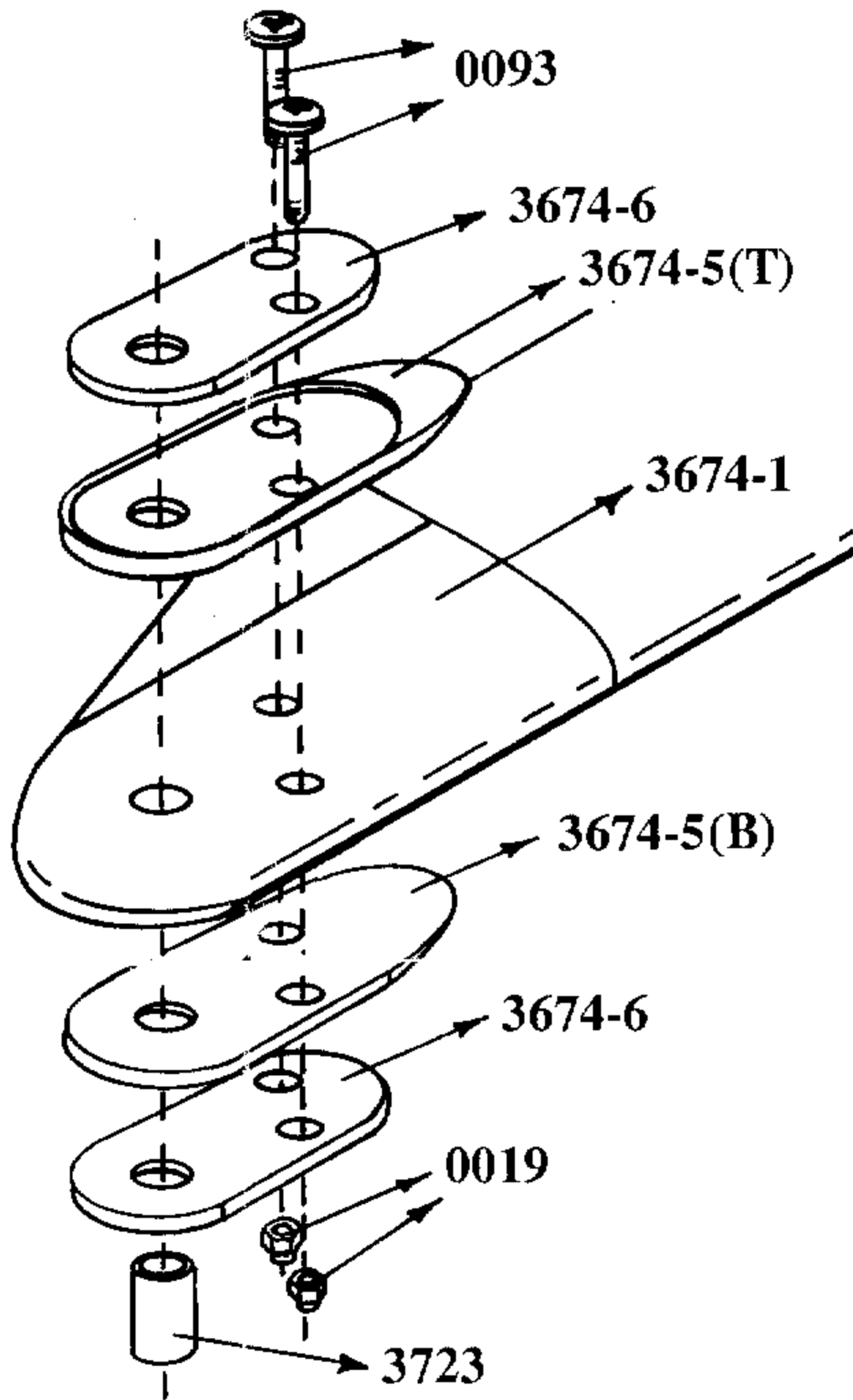


Figure 13-1

X-Cell Gas Graphite

<http://www.rchelibase.com>

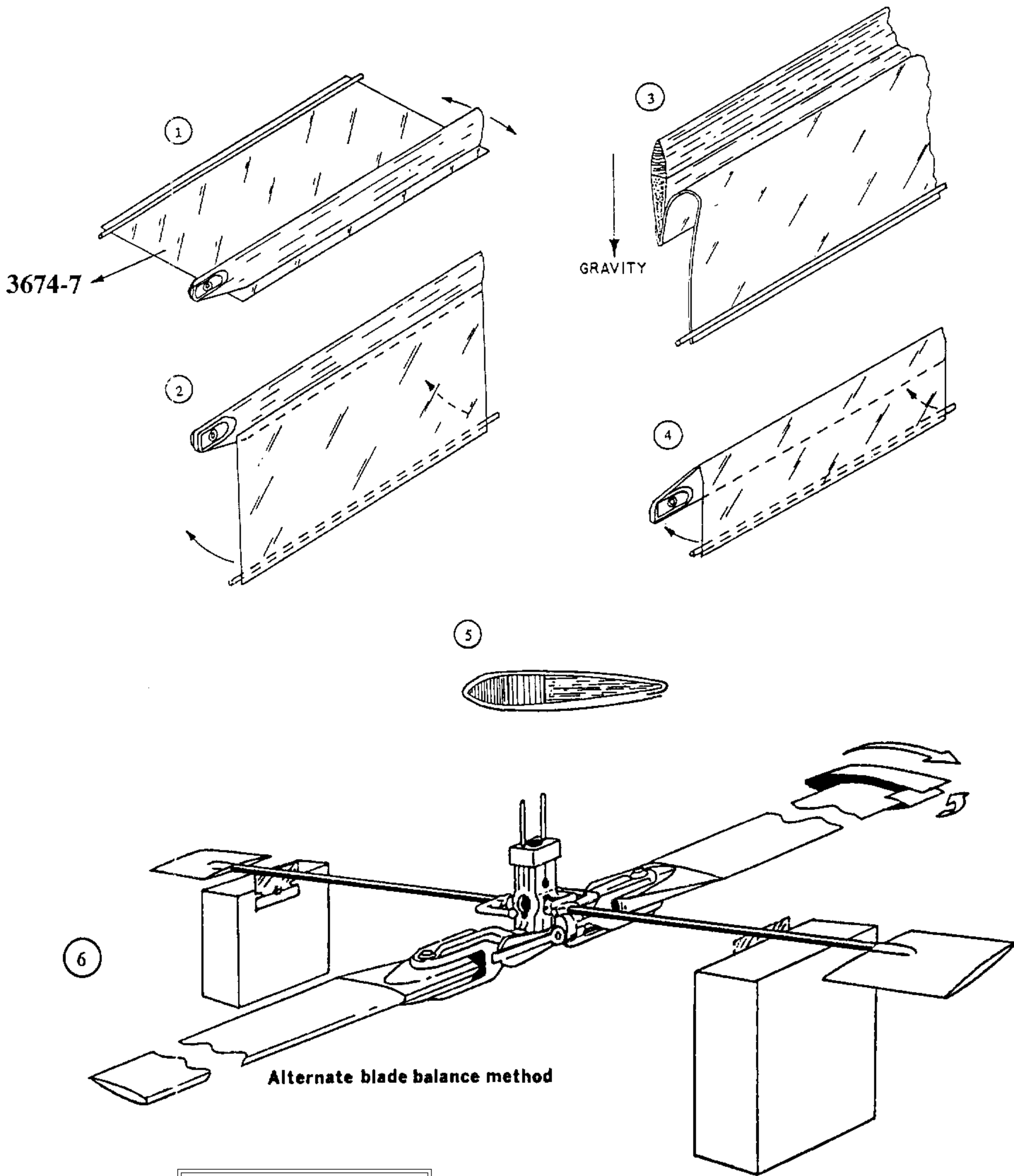


Figure 13-2
 X-Cell Gas Graphite
<http://www.rchelibase.com>